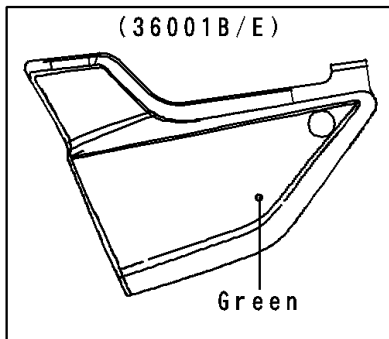
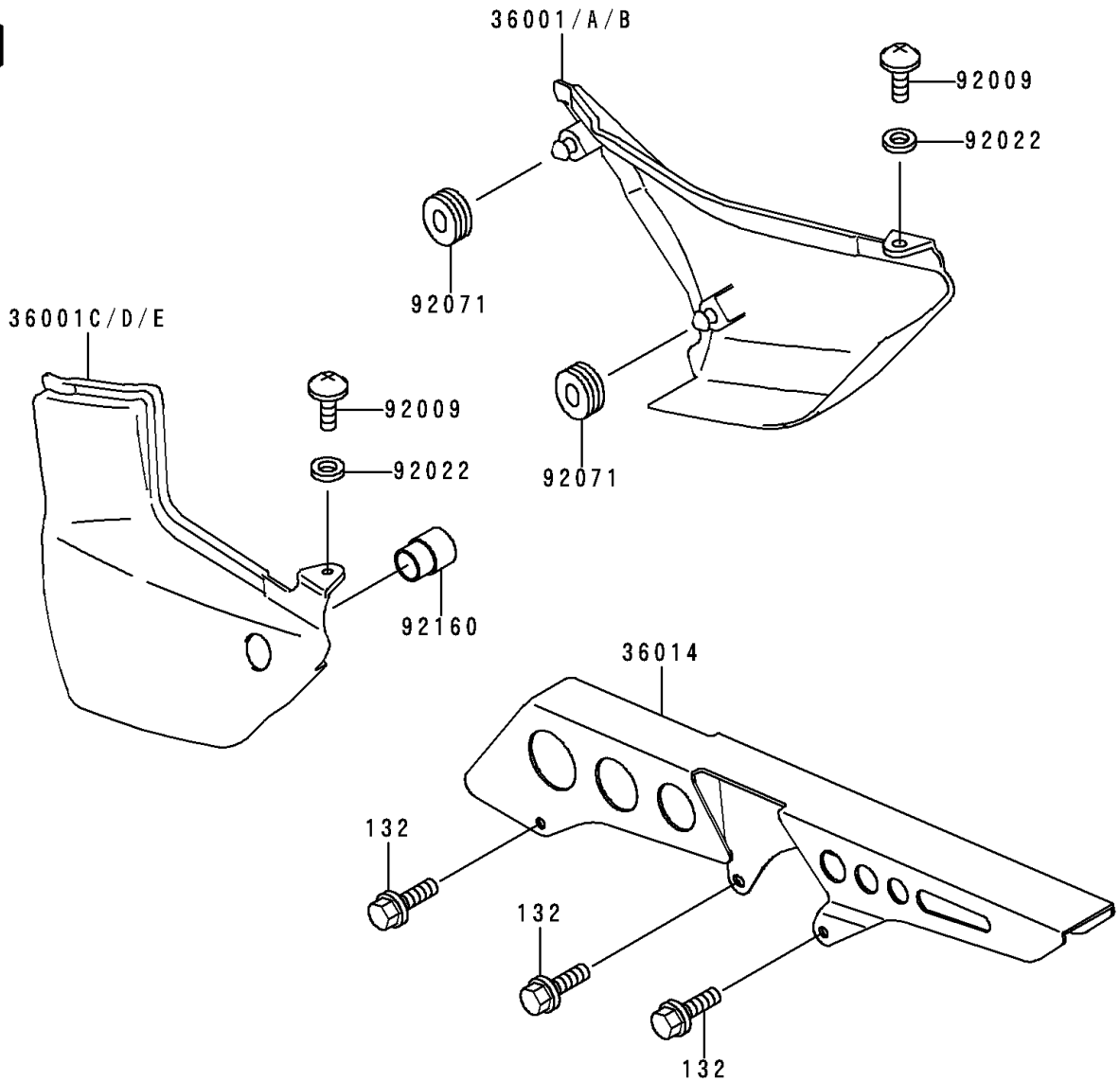


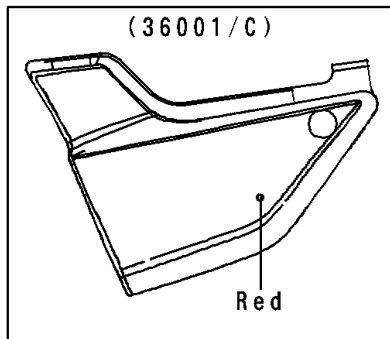
# 2000 ZRX1100 PARTS DIAGRAM

Side Covers/Chain Cover

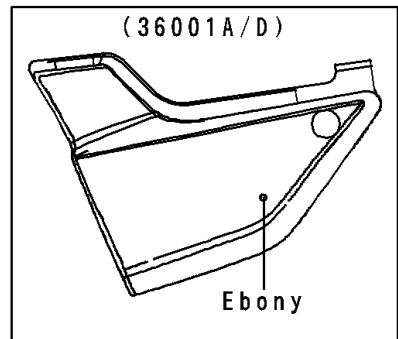
F2610



WOD



WOD



WOD

## 2000 ZRX1100 PARTS LIST

### Side Covers/Chain Cover

| ITEM NAME                              | PART NUMBER   | QUANTITY |
|--|---------------|----------|
| BOLT-FLANGED-SMALL,6X10 (Ref # 132)    | 132J0610      | 3        |
| COVER-SIDE,RH,P.J.GREEN (Ref # 36001B) | 36001-1575-U5 | 1        |
| COVER-SIDE,LH,P.J.GREEN (Ref # 36001E) | 36001-1597-U5 | 1        |
| CASE-CHAIN (Ref # 36014)               | 36014-1205    | 1        |
| SCREW,6X14 (Ref # 92009)               | 92009-1288    | 2        |
| WASHER,6.5X16X1.0 (Ref # 92022)        | 92022-1654    | 2        |
| GROMMET (Ref # 92071)                  | 92071-056     | 4        |
| DAMPER (Ref # 92160)                   | 92160-1871    | 1        |
| COVER-SIDE,RH,F.RED (Ref # 36001)      | 36001-1575-B1 | 1        |
| COVER-SIDE,RH,EBONY (Ref # 36001A)     | 36001-1575-H8 | 1        |
| COVER-SIDE,LH,F.RED (Ref # 36001C)     | 36001-1597-B1 | 1        |
| COVER-SIDE,LH,EBONY (Ref # 36001D)     | 36001-1597-H8 | 1        |