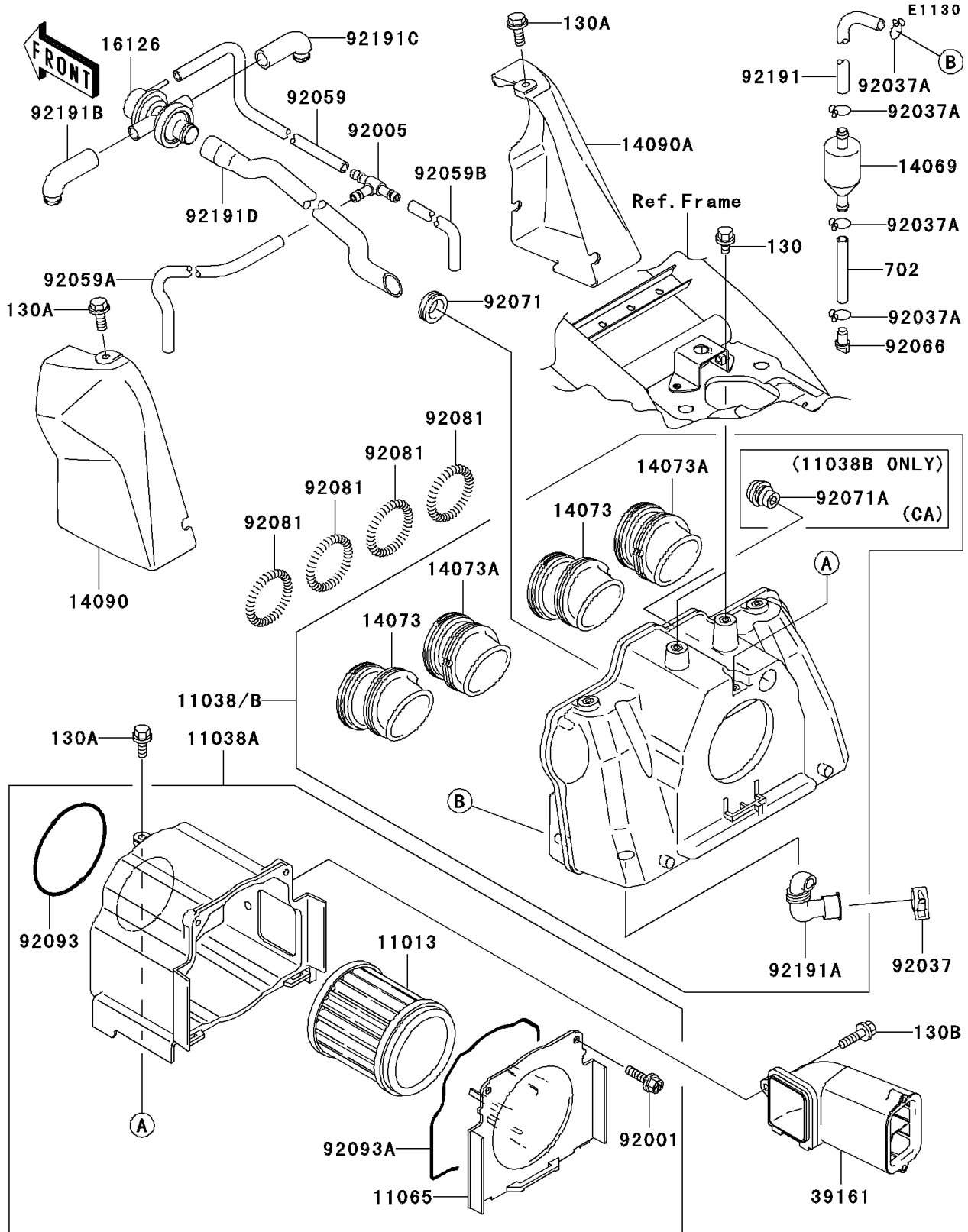


# 2003 ZRX1200R PARTS DIAGRAM

## Air Cleaner



## 2003 ZRX1200R PARTS LIST

### Air Cleaner

ITEM NAME	PART NUMBER	QUANTITY
BOLT-FLANGED (Ref # 130)	130J0610	2
BOLT-FLANGED,6X14,BLACK (Ref # 130A)	130J0614	3
BOLT-FLANGED (Ref # 130B)	130J0620	1
TUBE-RUBBER (Ref # 702)	702A0760	1
ELEMENT-AIR FILTER (Ref # 11013)	11013-1235	1
CASE-ASSY-AIR FILTER,RR (Ref # 11038A)	11038-1129	1
CAP,AIR FILTER (Ref # 11065)	11065-1188	1
BREATHER (Ref # 14069)	14069-1051	1
DUCT,#1&#3 (Ref # 14073)	14073-1685	2
DUCT,#2&#4 (Ref # 14073A)	14073-1686	2
COVER,AIR CLEANER,LH,F.C.GRAY (Ref # 14090)	14090-1789-3L	1
COVER,AIR CLEANER,RH,F.C.GRAY (Ref # 14090A)	14090-1790-3L	1
VALVE,AIR SWITCH (Ref # 16126)	16126-1401	1
SILENCER-ASSY-INTAKE (Ref # 39161)	39161-1081	1
BOLT,6X20 (Ref # 92001)	92001-1091	2
FITTING,TUBE,T-TYPE (Ref # 92005)	92005-1017	1
CLAMP (Ref # 92037)	92037-1460	1
CLAMP,TUBE (Ref # 92037A)	92037-147	4
TUBE,4X9X220 (Ref # 92059)	92059-1040	1
TUBE,4X9X230 (Ref # 92059A)	92059-1068	1
TUBE,4X9X80 (Ref # 92059B)	92059-1365	1
PLUG,DRAIN (Ref # 92066)	92066-1211	1
GROMMET,AIR FILTER (Ref # 92071)	92071-1042	1
SPRING,COIL,BLACK (Ref # 92081)	92081-1457	4
SEAL,AIR FILTER (Ref # 92093)	92093-1338	1
SEAL,AIR FILTER (Ref # 92093A)	92093-1432	1
TUBE (Ref # 92191)	92191-1006	1
TUBE,DRAIN TUBE (Ref # 92191A)	92191-1124	1
TUBE,AIR SWITCH LH (Ref # 92191B)	92191-1125	1

## 2003 ZRX1200R PARTS LIST

### Air Cleaner

ITEM NAME	PART NUMBER	QUANTITY
TUBE,AIR SWITCH RH (Ref # 92191C)	92191-1126	1
TUBE,AIR SWITCH-AIR FILTER (Ref # 92191D)	92191-1127	1
CASE-ASSY-AIR FILTER,FR (Ref # 11038)	11038-1120	1
CASE-ASSY-AIR FILTER,FR (Ref # 11038B)	11038-1130	1
GROMMET,AIR FILTER (Ref # 92071A)	92071-1112	1