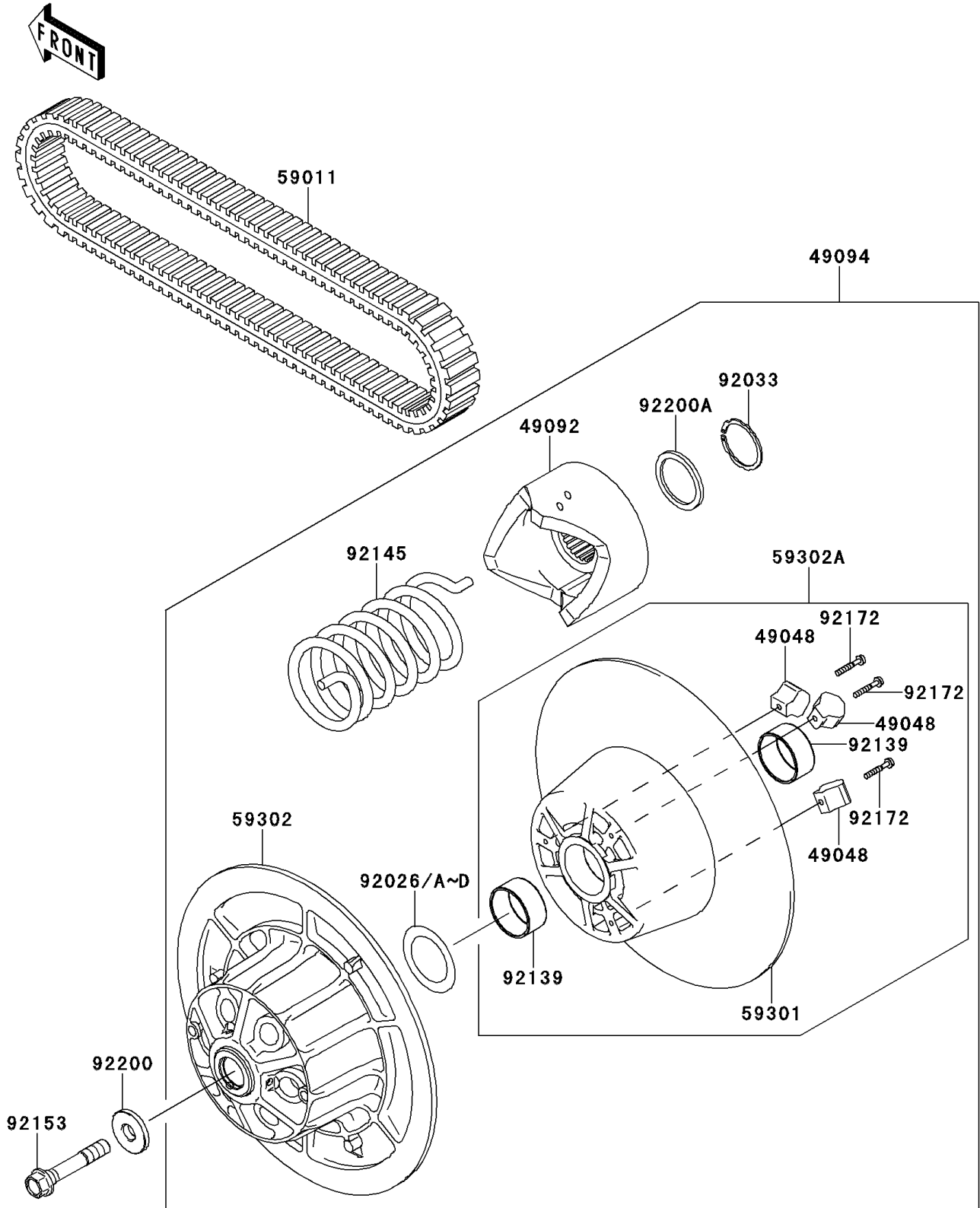


# 2009 Mule™ 4010 Trans4x4® Diesel PARTS DIAGRAM

Driven Converter/Drive Belt

E1392



## 2009 Mule™ 4010 Trans4x4® Diesel PARTS LIST

### Driven Converter/Drive Belt

| ITEM NAME                             | PART NUMBER | QUANTITY |
|---------------------------------------|-------------|----------|
| SHOE (Ref # 49048)                    | 49048-1097  | 3        |
| RAMP (Ref # 49092)                    | 49092-1069  | 1        |
| CONVERTER-ASSY-DRIVEN (Ref # 49094)   | 49094-0034  | 1        |
| BELT (Ref # 59011)                    | 59011-1087  | 1        |
| SHEAVE-MOVABLE (Ref # 59301)          | 59301-1072  | 1        |
| SHEAVE-COMP (Ref # 59302)             | 59302-0024  | 1        |
| SHEAVE-COMP,MOVABLE (Ref # 59302A)    | 59302-1104  | 1        |
| SPACER,40.5X58X0.3 (Ref # 92026)      | 92026-0036  | AR       |
| SPACER,40.5X58X1.0 (Ref # 92026A)     | 92026-1625  | 1        |
| SPACER,40.5X58X0.6 (Ref # 92026B)     | 92026-1626  | AR       |
| SPACER,40.5X58X1.4 (Ref # 92026C)     | 92026-1627  | AR       |
| SPACER,40.5X58X0.8 (Ref # 92026D)     | 92026-1628  | AR       |
| RING-SNAP (Ref # 92033)               | 92033-1317  | 1        |
| BUSHING (Ref # 92139)                 | 92139-1078  | 2        |
| SPRING,DRIVEN CONVERTER (Ref # 92145) | 92145-0047  | 1        |
| BOLT,12X70 (Ref # 92153)              | 92153-0509  | 1        |
| SCREW,4X25 (Ref # 92172)              | 92172-0060  | 3        |
| WASHER (Ref # 92200)                  | 92200-0069  | 1        |
| WASHER,40X46.4X2.5 (Ref # 92200A)     | 92200-1645  | 1        |