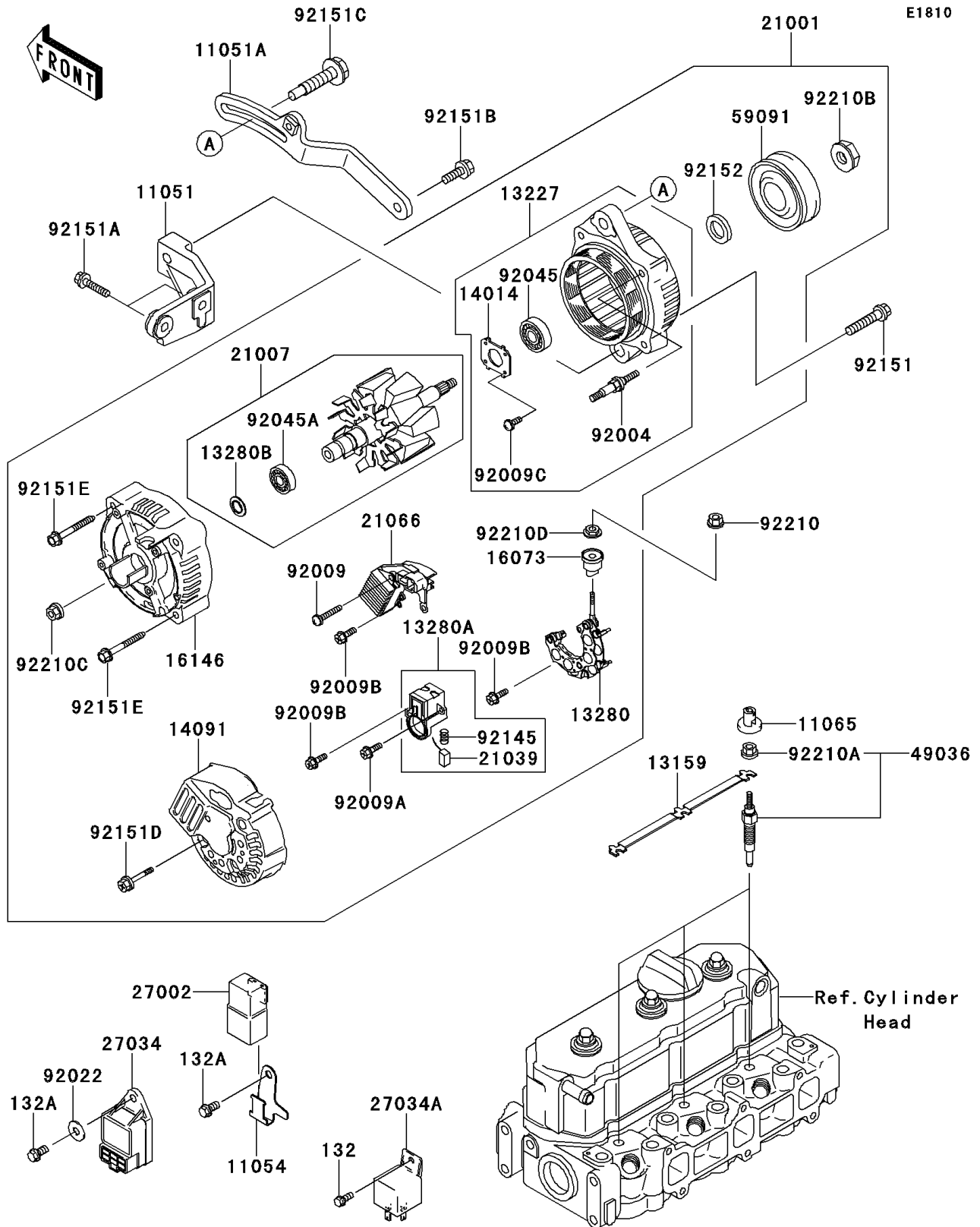


2010 Mule 4010 Trans4x4 Diesel PARTS DIAGRAM

Generator



2010 Mule 4010 Trans4x4 Diesel PARTS LIST

Generator

| ITEM NAME | PART NUMBER | QUANTITY |
|--|-------------|----------|
| BRACKET,LWR (Ref # 11051) | 11051-1568 | 1 |
| BRACKET,UPP (Ref # 11051A) | 11051-1569 | 1 |
| BRACKET (Ref # 11054) | 11054-7512 | 1 |
| CAP,GLOW (Ref # 11065) | 11065-1150 | 3 |
| CONNECTOR (Ref # 13159) | 13159-1066 | 1 |
| HOUSING,ALTERNATOR (Ref # 13227) | 13227-1139 | 1 |
| HOLDER,RECTIFIER (Ref # 13280) | 13280-1173 | 1 |
| HOLDER,ALTERNATOR BRUSH (Ref # 13280A) | 13280-1174 | 1 |
| HOLDER,BEARING (Ref # 13280B) | 13280-1175 | 1 |
| PLATE-POSITION (Ref # 14014) | 14014-1149 | 1 |
| COVER,REAR END (Ref # 14091) | 14091-1207 | 1 |
| INSULATOR (Ref # 16073) | 16073-1122 | 1 |
| COVER-ASSY,RECTIFIER (Ref # 16146) | 16146-1214 | 1 |
| GENERATOR (Ref # 21001) | 21001-1176 | 1 |
| ROTOR,ALTERNATOR (Ref # 21007) | 21007-1368 | 1 |
| BRUSH (Ref # 21039) | 21039-1068 | 2 |
| REGULATOR-VOLTAGE (Ref # 21066) | 21066-1122 | 1 |
| RELAY-ASSY (Ref # 27002) | 27002-1086 | 1 |
| RELAY,HEATING TIMER (Ref # 27034) | 27034-0003 | 1 |
| RELAY,GLOW (Ref # 27034A) | 27034-1066 | 1 |
| PLUG-GLOW (Ref # 49036) | 49036-0001 | 3 |
| PULLEY,ALTERNATOR (Ref # 59091) | 59091-1106 | 1 |
| STUD,ALTERNATOR HOUSING (Ref # 92004) | 92004-1273 | 2 |
| SCREW (Ref # 92009) | 92009-1921 | 2 |
| SCREW (Ref # 92009A) | 92009-1922 | 1 |
| SCREW (Ref # 92009B) | 92009-1923 | 6 |
| SCREW,POSITION PLATE (Ref # 92009C) | 92009-1924 | 4 |
| WASHER,7X18X1.2 (Ref # 92022) | 92022-1545 | 1 |
| BEARING-BALL,373 (Ref # 92045) | 92045-1398 | 1 |

2010 Mule 4010 Trans4x4 Diesel PARTS LIST

Generator

| ITEM NAME | PART NUMBER | QUANTITY |
|---------------------------------------|-------------|----------|
| BEARING-BALL,6002DG6 (Ref # 92045A) | 92045-1399 | 1 |
| SPRING,ALTERNATOR BRUSH (Ref # 92145) | 92145-1312 | 2 |
| BOLT,10X40 (Ref # 92151) | 92151-1691 | 1 |
| BOLT,8X25 (Ref # 92151A) | 92151-1692 | 2 |
| BOLT,8X20 (Ref # 92151B) | 92151-1693 | 1 |
| BOLT,8X45 (Ref # 92151C) | 92151-1694 | 1 |
| BOLT (Ref # 92151D) | 92151-1715 | 3 |
| BOLT (Ref # 92151E) | 92151-1716 | 2 |
| COLLAR (Ref # 92152) | 92152-1230 | 1 |
| NUT,6MM (Ref # 92210) | 92210-1210 | 1 |
| NUT,GLOW PLUG,4MM (Ref # 92210A) | 92210-1218 | 3 |
| NUT,PULLEY (Ref # 92210B) | 92210-1232 | 1 |
| NUT (Ref # 92210C) | 92210-1233 | 2 |
| NUT (Ref # 92210D) | 92210-1234 | 1 |
| BOLT-FLANGED-SMALL,5X12 (Ref # 132) | 132BB0512 | 1 |
| BOLT-FLANGED-SMALL,6X12 (Ref # 132A) | 132BB0612 | 2 |