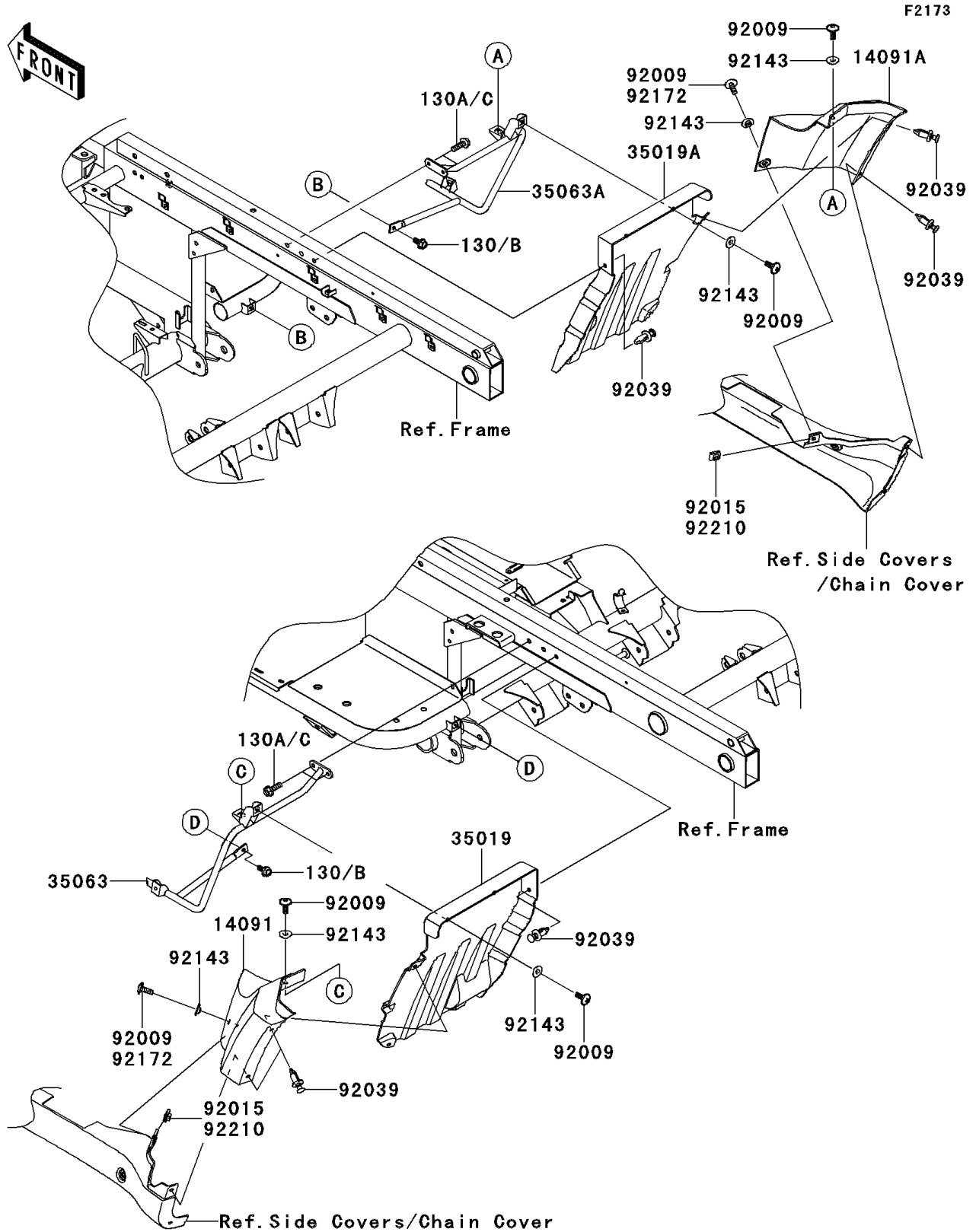


2009 Mule™ 4010 Trans4x4® Diesel PARTS DIAGRAM

Flap



2009 Mule™ 4010 Trans4x4® Diesel PARTS LIST

Flap

ITEM NAME	PART NUMBER	QUANTITY
COVER,REAR FENDER,LWR,LH,F.BLK (Ref # 14091)	14091-0819-6Z	1
COVER,REAR FENDER,LWR,RH,F.BLK (Ref # 14091A)	14091-0820-6Z	1
FLAP,RR,LH (Ref # 35019)	35019-0066	1
FLAP,RR,RH (Ref # 35019A)	35019-0067	1
STAY,RR,LH (Ref # 35063)	35063-0451	1
STAY,RR,RH (Ref # 35063A)	35063-0452	1
SCREW,6X16 (Ref # 92009)	92009-1621	6
NUT,CLAMP,6MM (Ref # 92015)	92015-1678	2
RIVET (Ref # 92039)	92039-1229	6
COLLAR (Ref # 92143)	92143-1087	6
BOLT-FLANGED,6X14 (Ref # 130B)	130BB0614	2
BOLT-FLANGED,6X20 (Ref # 130C)	130BB0620	4