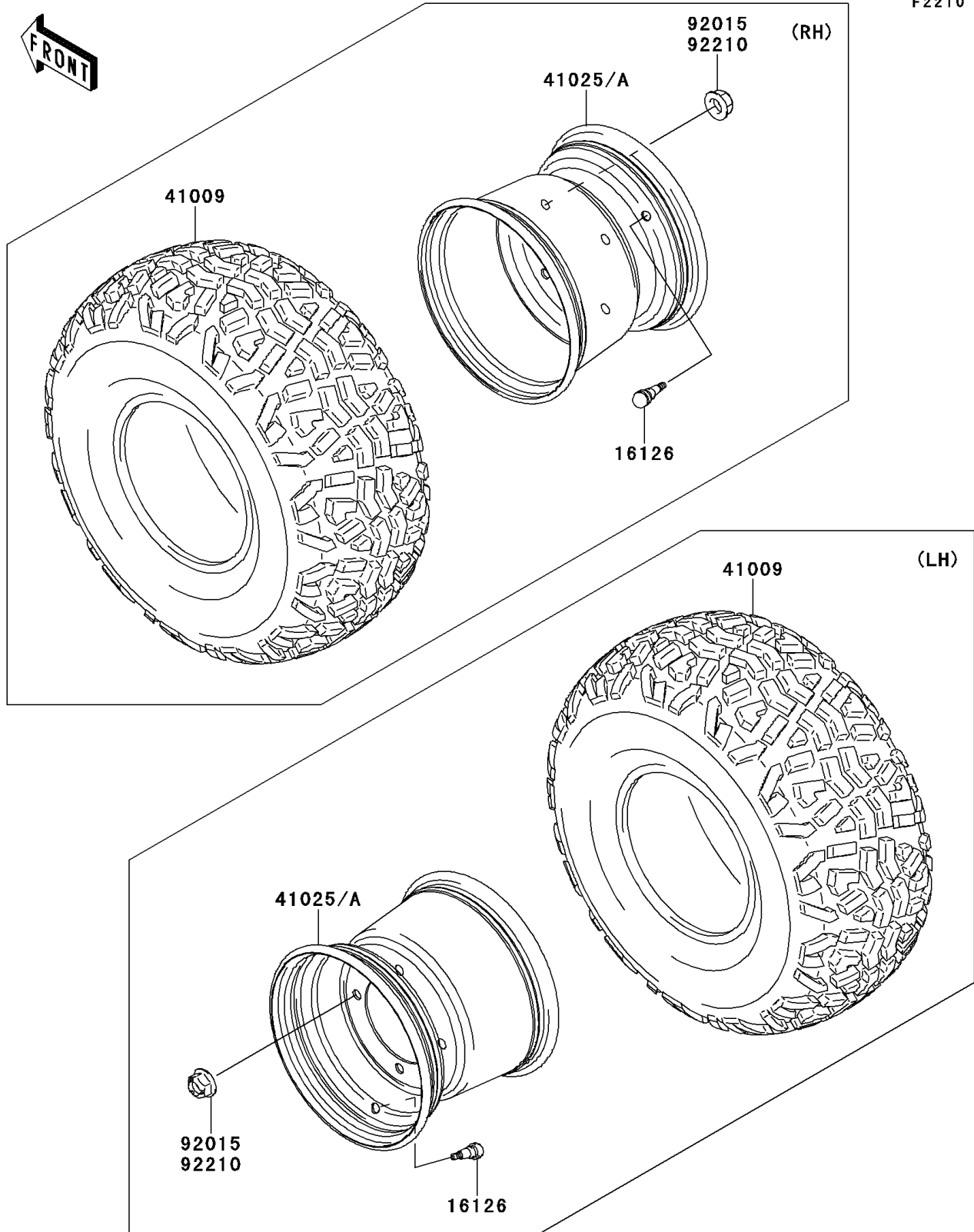


2013 MULE™ 4010 TRANS4x4® DIESEL PARTS DIAGRAM

Wheels/Tires

F2210



2013 MULE™ 4010 TRANS4x4® DIESEL PARTS LIST

Wheels/Tires

| ITEM NAME | PART NUMBER | QUANTITY |
|---------------------------------------|----------------|----------|
| VALVE (Ref # 16126) | 16126-4001 | 4 |
| TIRE,23X11.00-10 4PR (Ref # 41009) | 41009-0294 | 4 |
| RIM,10X8.5AT,SILVER (Ref # 41025) | 41025-7504-16H | 4 |
| RIM,10X8.5AT,F.S.BLACK (Ref # 41025A) | 41025-7504-397 | 4 |
| NUT,12MM (Ref # 92015) | 92015-1706 | 16 |
| NUT,12MM (Ref # 92210) | 92210-0603 | 16 |