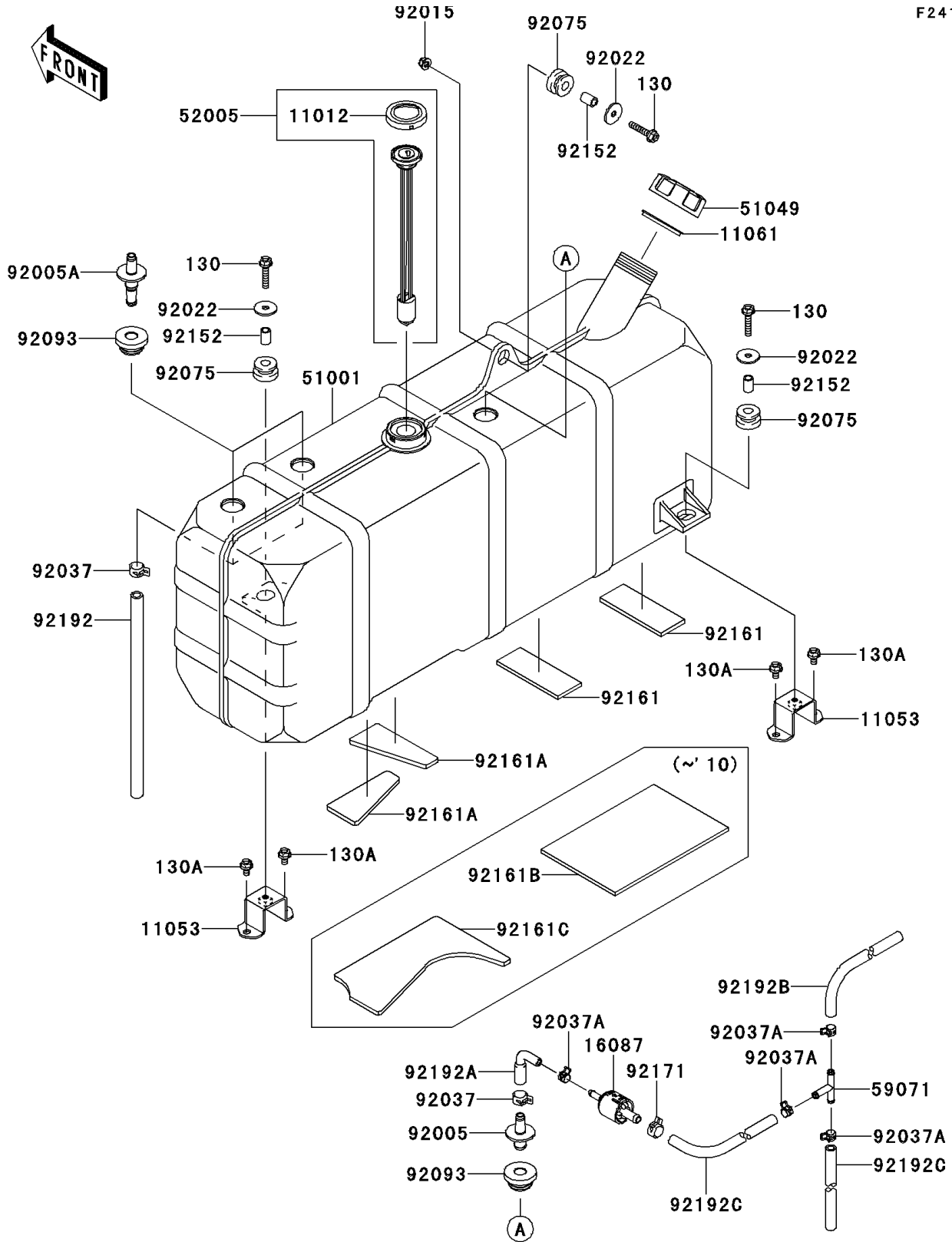


# 2013 MULE™ 4010 TRANS4x4® DIESEL PARTS DIAGRAM

Fuel Tank(G9F-GCF)

F2410



## 2013 MULE™ 4010 TRANS4x4® DIESEL PARTS LIST

### Fuel Tank(G9F-GCF)

ITEM NAME	PART NUMBER	QUANTITY
CAP,FUEL GAUGE (Ref # 11012)	11012-1627	1
BRACKET (Ref # 11053)	11053-7512	2
GASKET,FUEL TANK CAP (Ref # 11061)	11061-7508	1
VALVE-CHECK (Ref # 16087)	16087-0002	1
TANK-COMP-FUEL (Ref # 51001)	51001-7504	1
CAP-TANK,FUEL (Ref # 51049)	51049-7002	1
GAUGE,FUEL (Ref # 52005)	52005-7501	1
JOINT (Ref # 59071)	59071-3705	1
FITTING (Ref # 92005)	92005-0106	1
FITTING (Ref # 92005A)	92005-7501	2
NUT,LOCK,FLANGED,6MM (Ref # 92015)	92015-1675	1
WASHER,6.5X24X2 (Ref # 92022)	92022-1690	3
CLAMP,HOSE CLIP (Ref # 92037)	92037-1181	3
CLAMP,TUBE (Ref # 92037A)	92037-1461	4
DAMPER (Ref # 92075)	92075-1787	3
SEAL (Ref # 92093)	92093-7502	3
COLLAR,7.02X10.32X15.3 (Ref # 92152)	92152-7511	3
DAMPER,92X35X4.76 (Ref # 92161)	92161-0813	2
DAMPER,92X19X4.76 (Ref # 92161A)	92161-0814	2
CLAMP (Ref # 92171)	92171-0515	1
TUBE,8X13X260 (Ref # 92192)	92192-7503	2
TUBE,TANK-VALVE (Ref # 92192A)	92192-7510	1
TUBE,7X11X370 (Ref # 92192B)	92192-7512	1
TUBE,7X11X225 (Ref # 92192C)	92192-7513	2
BOLT-FLANGED,6X30 (Ref # 130)	130BA0630	3
BOLT-FLANGED,6X10 (Ref # 130A)	130BB0610	4