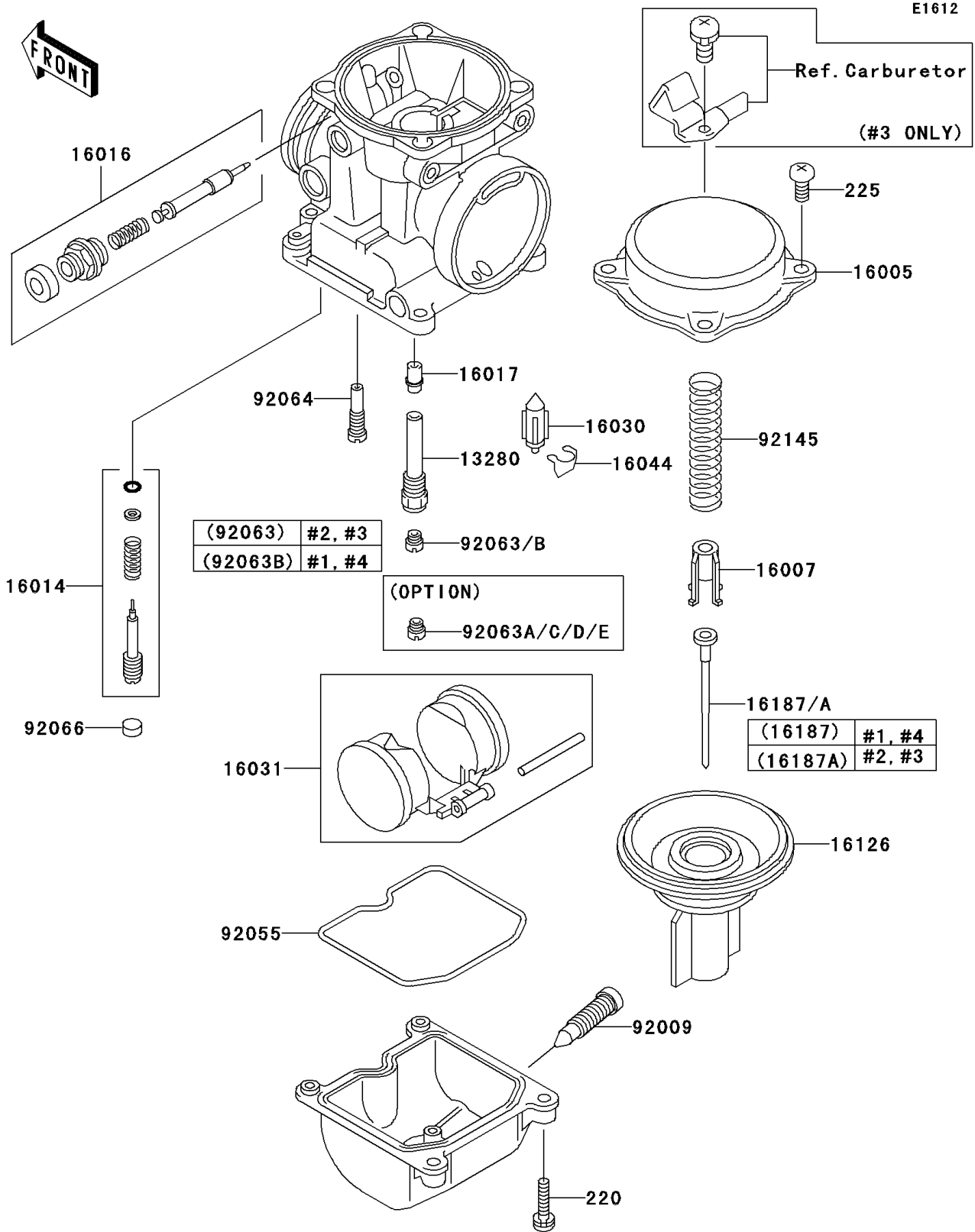


2002 ZRX1200R PARTS DIAGRAM

Carburetor Parts



2002 ZRX1200R PARTS LIST

Carburetor Parts

ITEM NAME	PART NUMBER	QUANTITY
SCREW-PAN-CROS (Ref # 220)	220D0414	16
SCREW-PAN-WSP-CROS (Ref # 225)	225C0418	15
HOLDER,NEEDLE JET (Ref # 13280)	13280-1054	4
TOP-CHAMBER,MIXING (Ref # 16005)	16005-1054	4
SEAT-SPRING,VALVE (Ref # 16007)	16007-1117	4
SCREW-PILOT AIR (Ref # 16014)	16014-1080	4
PLUNGER,STARTER (Ref # 16016)	16016-1090	4
JET-NEEDLE (Ref # 16017)	16017-1440	4
VALVE-FLOAT (Ref # 16030)	16030-1057	4
FLOAT (Ref # 16031)	16031-1077	4
CLAMP,FLOAT VALVE (Ref # 16044)	16044-007	4
VALVE,VACUUM (Ref # 16126)	16126-1338	4
NEEDLE-JET,NAGZ (Ref # 16187)	16187-1200	2
NEEDLE-JET,NAGU (Ref # 16187A)	16187-1201	2
SCREW,DRAIN,M6X0.75 (Ref # 92009)	92009-1551	4
RING-O,FLOAT CHAMBER (Ref # 92055)	92055-1222	4
JET-MAIN,#95 (Ref # 92063)	92063-1001	2
JET-MAIN,#90 (Ref # 92063A)	92063-1003	AR
JET-MAIN,#92 (Ref # 92063B)	92063-1004	2
JET-MAIN,#98 (Ref # 92063C)	92063-1005	AR
JET-MAIN,#100 (Ref # 92063D)	92063-1008	AR
JET-MAIN,#88 (Ref # 92063E)	92063-1024	AR
JET-PILOT,#35 (Ref # 92064)	92064-1101	4
PLUG,PILOT AIR SCREW,6.9X2 (Ref # 92066)	92066-1051	4
SPRING,VACUUM VALVE (Ref # 92145)	92145-1064	4