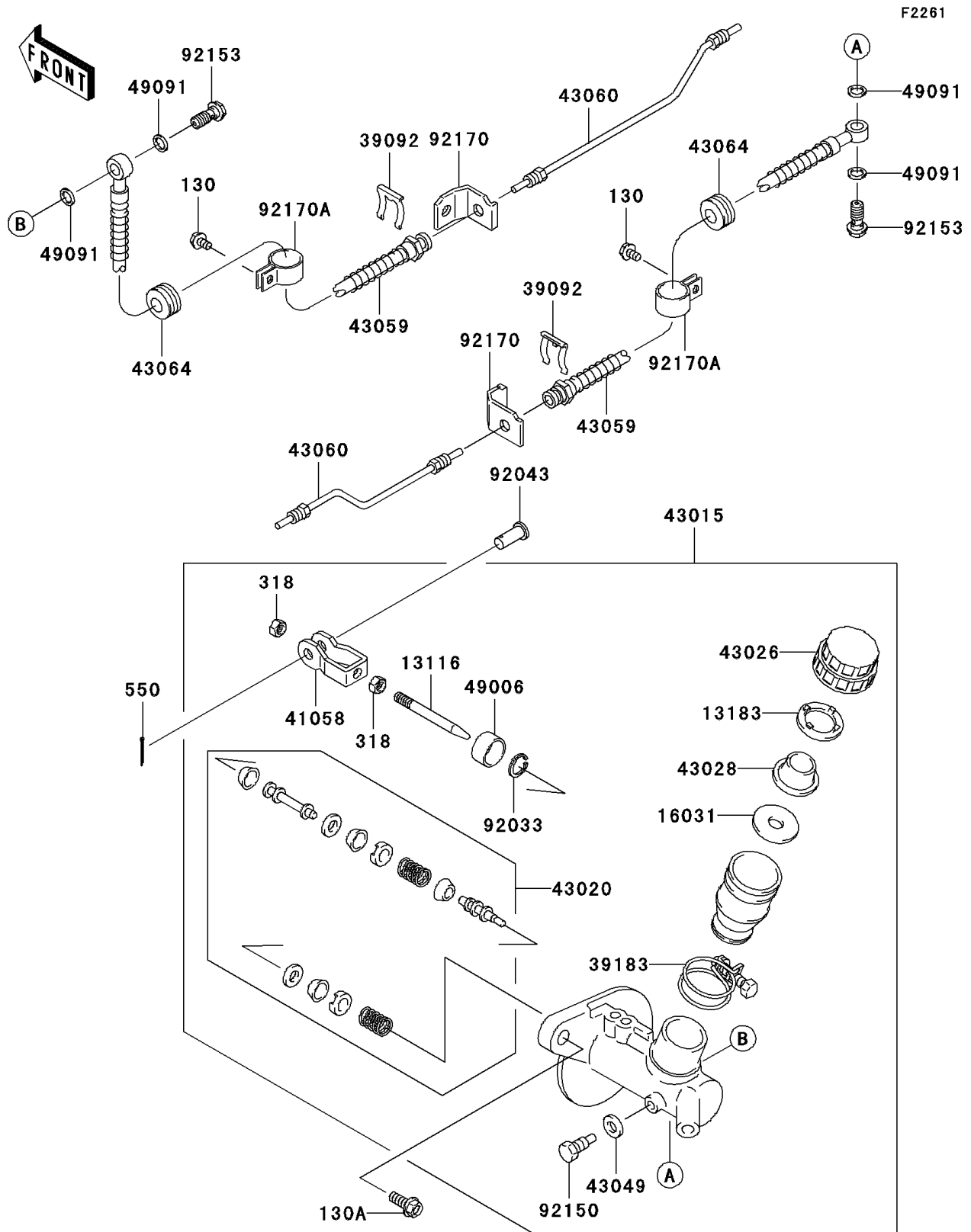


2008 Mule 3010 Diesel 4X4 PARTS DIAGRAM

Master Cylinder



2008 Mule 3010 Diesel 4X4 PARTS LIST

Master Cylinder

ITEM NAME	PART NUMBER	QUANTITY
ROD-PUSH (Ref # 13116)	13116-1134	1
PLATE (Ref # 13183)	13183-1306	1
FLOAT (Ref # 16031)	16031-1069	1
PIN-HAIR (Ref # 39092)	39092-1052	2
BAND-ASSY (Ref # 39183)	39183-1055	1
RODEND-BRAKE (Ref # 41058)	41058-1053	1
CYLINDER-ASSY-MASTER (Ref # 43015)	43015-1682	1
PISTON-COMP-BRAKE (Ref # 43020)	43020-1124	1
CAP-BRAKE (Ref # 43026)	43026-1067	1
DIAPHRAGM (Ref # 43028)	43028-1078	1
PACKING (Ref # 43049)	43049-1065	1
HOSE-BRAKE,FR (Ref # 43059)	43059-1489	2
PIPE-BRAKE,FR (Ref # 43060)	43060-1082	2
GROMMET,HOSE CLAMP (Ref # 43064)	43064-007	2
BOOT (Ref # 49006)	49006-1245	1
WASHER-SEAL,10.1X14.5X1.5 (Ref # 49091)	49091-0001	4
RING-SNAP (Ref # 92033)	92033-1255	1
PIN (Ref # 92043)	92043-1039	1
BOLT,STOP (Ref # 92150)	92150-1165	1
BOLT,OIL,L=23 (Ref # 92153)	92153-0627	2
CLAMP,BRAKE PIPE (Ref # 92170)	92170-1093	2
CLAMP,HOSE (Ref # 92170A)	92170-1173	2
BOLT-FLANGED,6X10 (Ref # 130)	130D0610	2
BOLT-FLANGED,8X20 (Ref # 130A)	130D0820	2
NUT-HEX-SMALL (Ref # 318)	318H0800	2
PIN-COTTER,2.5X18 (Ref # 550)	550D2518	1