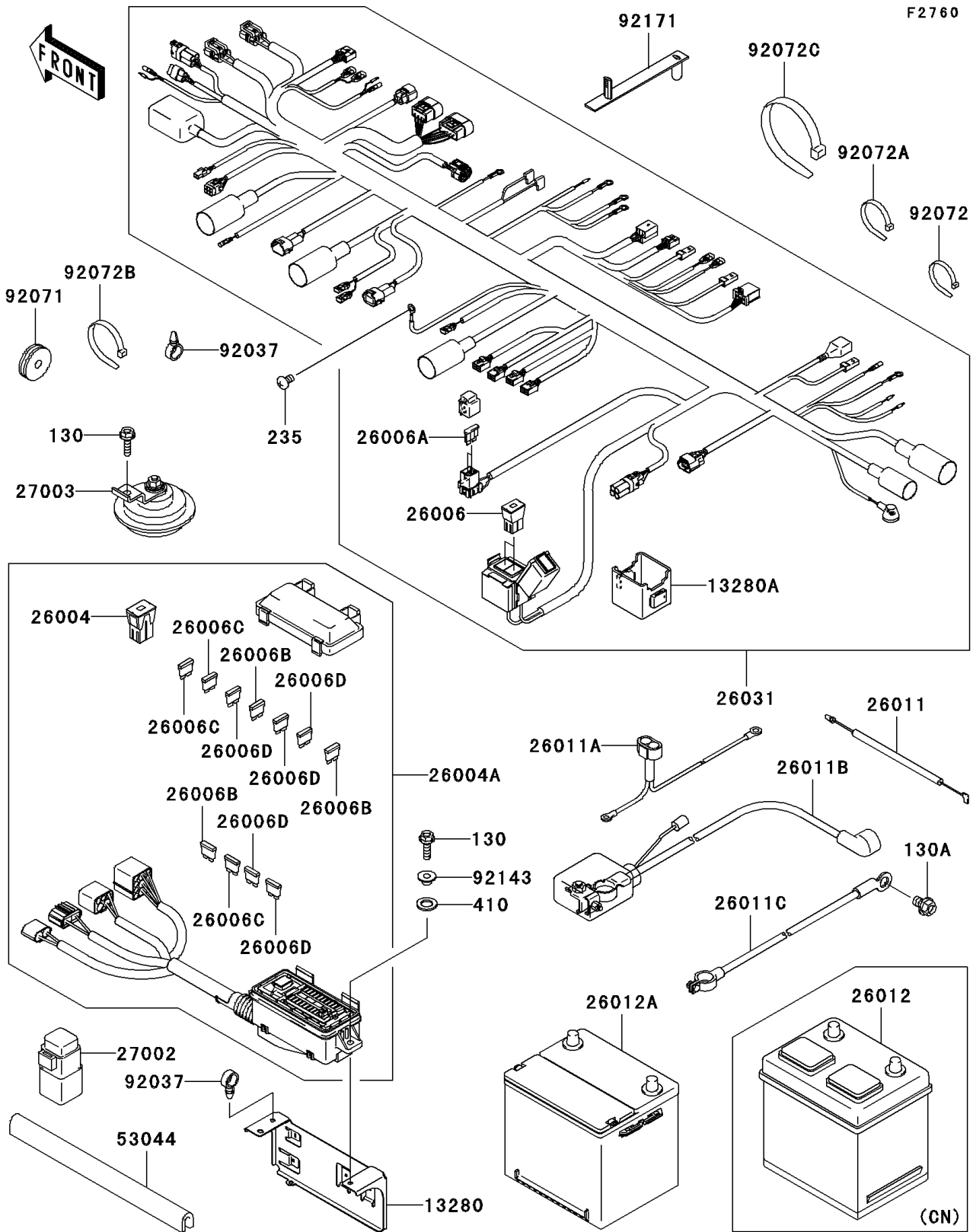


# 2008 Mule 3010 Diesel 4X4 PARTS DIAGRAM

## Chassis Electrical Equipment



## 2008 Mule 3010 Diesel 4X4 PARTS LIST

### Chassis Electrical Equipment

ITEM NAME	PART NUMBER	QUANTITY
HOLDER (Ref # 13280)	13280-1220	1
HOLDER (Ref # 13280A)	13280-7508	1
FUSE-ASSY,50A (Ref # 26004)	26004-1096	1
FUSE-ASSY (Ref # 26004A)	26004-7503	1
FUSE,40A (Ref # 26006)	26006-0014	2
FUSE,7.5A (Ref # 26006A)	26006-0015	2
FUSE,5A (Ref # 26006B)	26006-1077	3
FUSE,20A (Ref # 26006C)	26006-1079	3
FUSE,30A (Ref # 26006D)	26006-1080	5
WIRE-LEAD,OIL PRESSURE SWITCH (Ref # 26011)	26011-0001	1
WIRE-LEAD,ALTERNATOR (Ref # 26011A)	26011-7508	1
WIRE-LEAD,BATTERY(+) (Ref # 26011B)	26011-7512	1
WIRE-LEAD,BATTERY(-) (Ref # 26011C)	26011-7513	1
HARNESS,MAIN (Ref # 26031)	26031-7509	1
RELAY-ASSY (Ref # 27002)	27002-1068	1
HORN (Ref # 27003)	27003-1276	1
TRIM (Ref # 53044)	53044-1137	1
CLAMP,HOSE (Ref # 92037)	92037-1827	4
GROMMET (Ref # 92071)	92071-1136	1
BAND,L=123 (Ref # 92072)	92072-030	1
BAND,L=149 (Ref # 92072A)	92072-031	1
BAND,L=188 (Ref # 92072B)	92072-1239	14
BAND,L=368.3 (Ref # 92072C)	92072-3872	6
COLLAR (Ref # 92143)	92143-1057	2
CLAMP (Ref # 92171)	92171-1365	1
BOLT-FLANGED,6X20 (Ref # 130)	130J0620	3
BOLT-FLANGED,8X12 (Ref # 130A)	130J0812	1
SCREW-PAN-WP-CROS,6X10 (Ref # 235)	235B0610	1
WASHER-PLAIN-SMALL,10MM,BLACK (Ref # 410)	410F1000	2