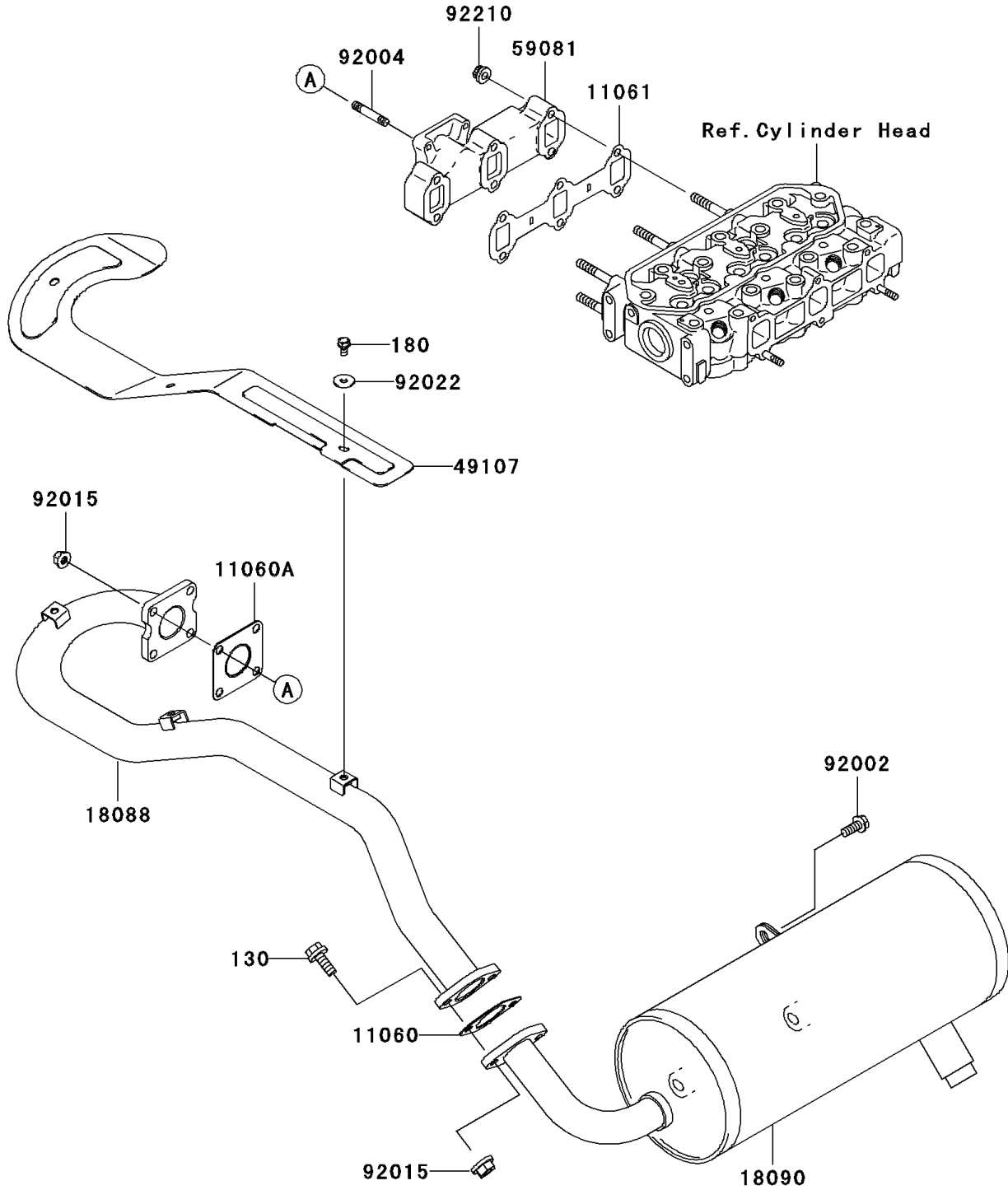


# 2008 Mule 3010 Trans4x4 Diesel PARTS DIAGRAM

Muffler(s)

E1140



## 2008 Mule 3010 Trans4x4 Diesel PARTS LIST

### Muffler(s)

ITEM NAME	PART NUMBER	QUANTITY
GASKET,MUFFLER (Ref # 11060)	11060-1915	1
GASKET,EXHAUST PIPE (Ref # 11060A)	11060-1916	1
GASKET,EXHAUST MANIFOLD (Ref # 11061)	11061-1101	1
PIPE-EXHAUST (Ref # 18088)	18088-1216	1
BODY-COMP-MUFFLER (Ref # 18090)	18090-1739	1
COVER-EXHAUST PIPE (Ref # 49107)	49107-0004	1
MANIFOLD-EXHAUST (Ref # 59081)	59081-1391	1
BOLT,8X20 (Ref # 92002)	92002-1250	3
STUD,8X20 (Ref # 92004)	92004-1272	4
NUT,FLANGED,8MM (Ref # 92015)	92015-1406	6
WASHER,6.5X20X1.6,BLACK (Ref # 92022)	92022-1346	3
NUT,8MM (Ref # 92210)	92210-1217	6
BOLT-FLANGED,8X25 (Ref # 130)	130J0825	2
BOLT-UPSET-WS,6X12 (Ref # 180)	180J0612	3