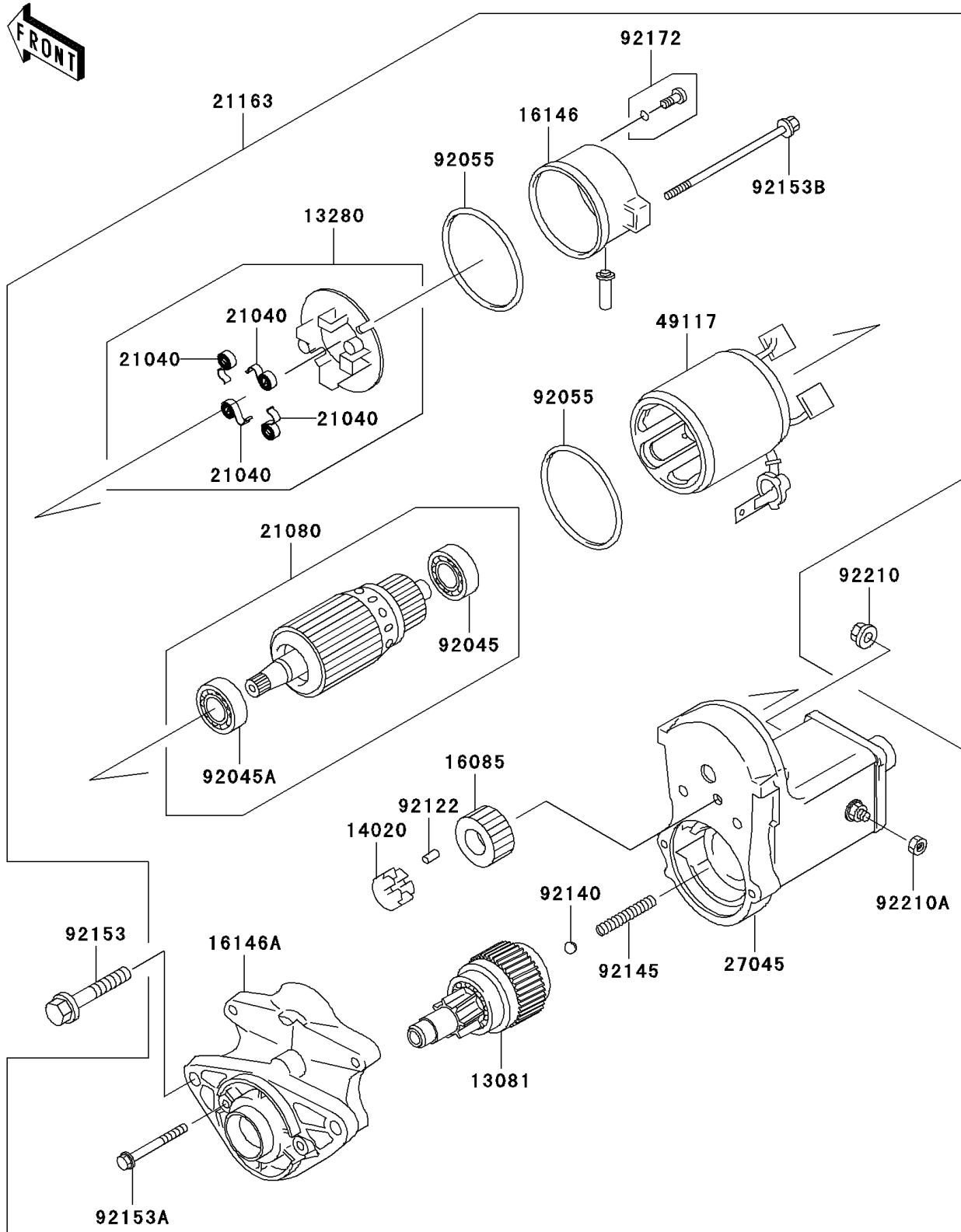


# 2008 Mule 3010 Trans4x4 Diesel PARTS DIAGRAM

Starter Motor

E1840



## 2008 Mule 3010 Trans4x4 Diesel PARTS LIST

### Starter Motor

ITEM NAME	PART NUMBER	QUANTITY
CLUTCH-ASSY (Ref # 13081)	13081-0080	1
HOLDER,STARTER BRUSH (Ref # 13280)	13280-0179	1
RETAINER (Ref # 14020)	14020-0005	1
GEAR,STARTER IDLE (Ref # 16085)	16085-0089	1
COVER-ASSY,COMMUTATOR END (Ref # 16146)	16146-0037	1
COVER-ASSY,STARTER DRIVE (Ref # 16146A)	16146-0038	1
SPRING-BRUSH (Ref # 21040)	21040-0002	4
ARMATURE,SATRTER (Ref # 21080)	21080-0001	1
STARTER-ELECTRIC (Ref # 21163)	21163-0030	1
SWITCH-ASSY,MAGNETIC (Ref # 27045)	27045-0008	1
YOKE,STARTER (Ref # 49117)	49117-0016	1
BEARING-BALL,ARMATURE,FR (Ref # 92045)	92045-0054	1
BEARING-BALL,ARMATURE,RR (Ref # 92045A)	92045-0055	1
RING-O (Ref # 92055)	92055-0108	2
ROLLER,IDLE GEAR (Ref # 92122)	92122-1210	5
BALL (Ref # 92140)	92140-1065	1
SPRING,MAGNET,SWITCH RETURN (Ref # 92145)	92145-0391	1
BOLT (Ref # 92153)	92153-0487	2
BOLT,5X35.2 (Ref # 92153A)	92153-1497	2
BOLT,5X115 (Ref # 92153B)	92153-1498	2
SCREW,4X11.8 (Ref # 92172)	92172-0252	2
NUT,8MM (Ref # 92210)	92210-1219	1
NUT (Ref # 92210A)	92210-1231	1