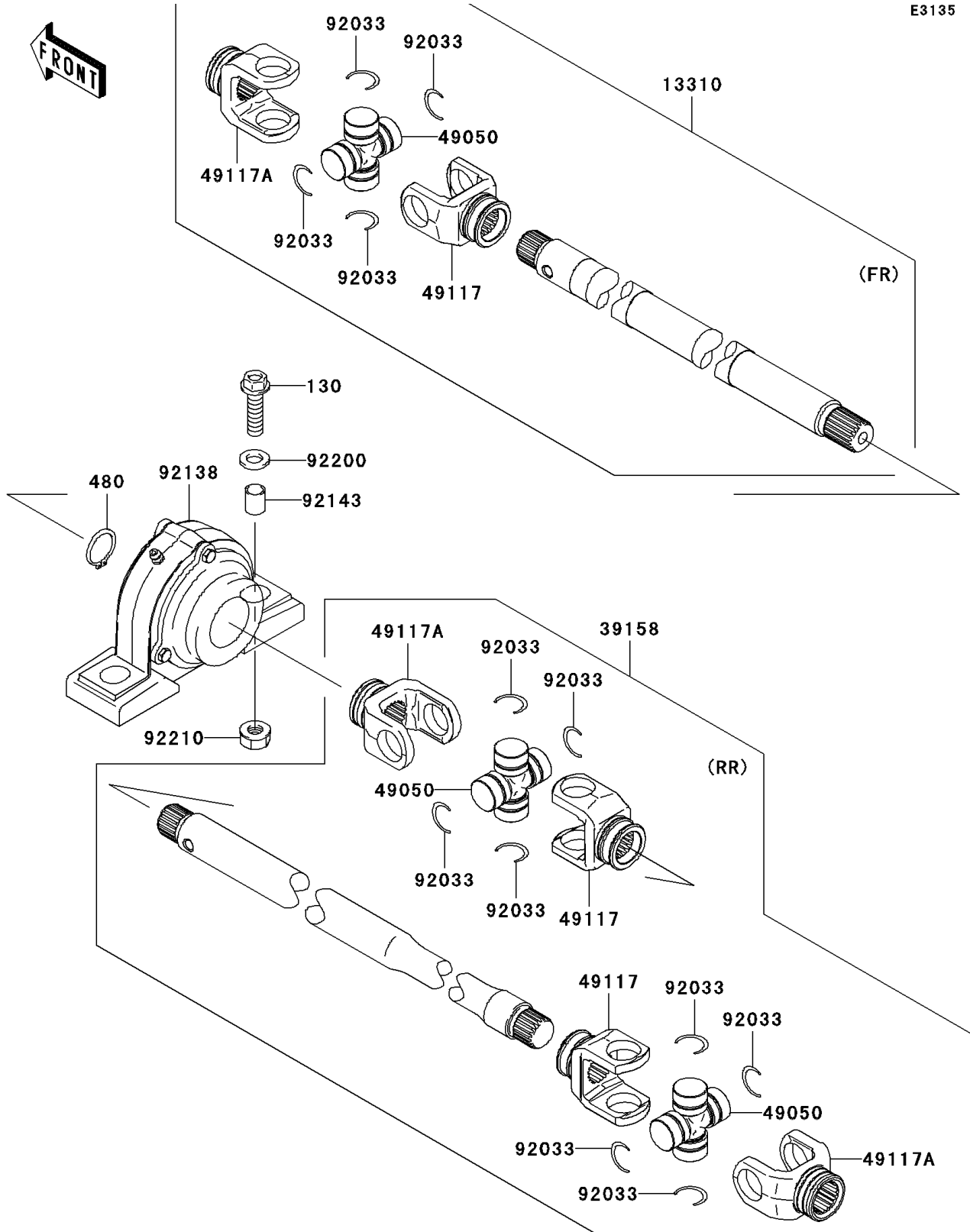


2008 Mule 3010 Trans4x4 Diesel PARTS DIAGRAM

Drive Shaft-Propeller

E3135



2008 Mule 3010 Trans4x4 Diesel PARTS LIST

Drive Shaft-Propeller

| ITEM NAME | PART NUMBER | QUANTITY |
|---|-------------|----------|
| SHAFT-ASSY (Ref # 13310) | 13310-1027 | 1 |
| SHAFT-ASSY-DRIVE,RR PROPELLER (Ref # 39158) | 39158-7501 | 1 |
| SPIDER (Ref # 49050) | 49050-1075 | 3 |
| YOKE,DRIVE (Ref # 49117) | 49117-1095 | 3 |
| YOKE,DRIVE (Ref # 49117A) | 49117-1096 | 3 |
| RING-SNAP (Ref # 92033) | 92033-1030 | 12 |
| BEARING-COMP (Ref # 92138) | 92138-0001 | 1 |
| COLLAR,10.3X12.7X15 (Ref # 92143) | 92143-1634 | 2 |
| WASHER,10.5X19X2.3 (Ref # 92200) | 92200-1042 | 2 |
| NUT,LOCK,10MM (Ref # 92210) | 92210-1204 | 2 |
| BOLT-FLANGED,10X35 (Ref # 130) | 130J1035 | 2 |
| CIRCLIP-TYPE-C,25MM (Ref # 480) | 480J2500 | 1 |