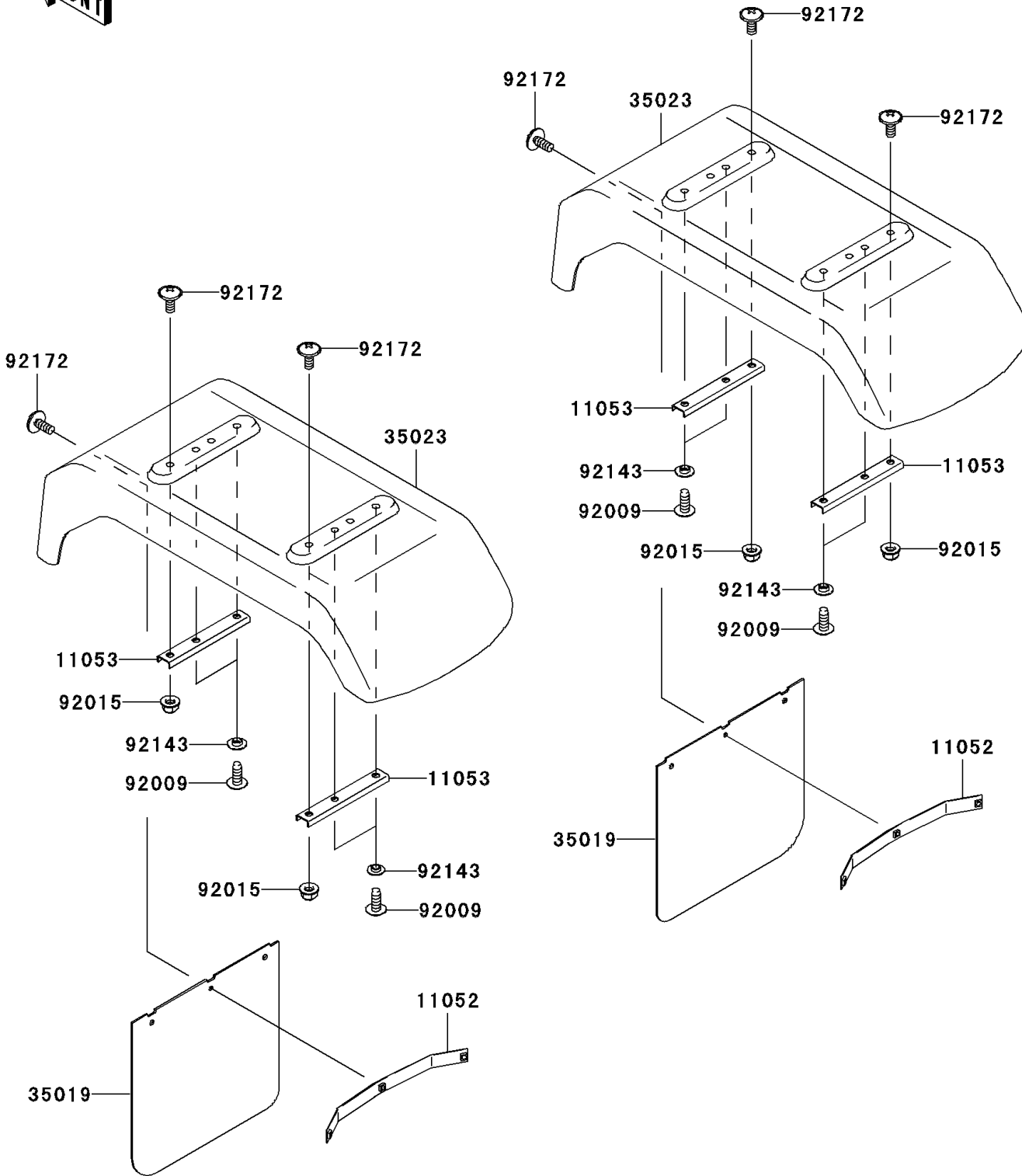


2008 Mule 3010 Trans4x4 Diesel PARTS DIAGRAM

Rear Fender(s)

F2172



2008 Mule 3010 Trans4x4 Diesel PARTS LIST

Rear Fender(s)

| ITEM NAME | PART NUMBER | QUANTITY |
|------------------------------------|-------------|----------|
| BRACKET,REAR FLAP (Ref # 11052) | 11052-1313 | 2 |
| BRACKET,RR FENDER (Ref # 11053) | 11053-7558 | 4 |
| FLAP,REAR FENDER (Ref # 35019) | 35019-1244 | 2 |
| FENDER-REAR (Ref # 35023) | 35023-1557 | 2 |
| SCREW,TAPPING,6X16 (Ref # 92009) | 92009-1166 | 8 |
| NUT,LOCK,FLANGED,6MM (Ref # 92015) | 92015-1675 | 4 |
| COLLAR (Ref # 92143) | 92143-1087 | 8 |
| SCREW,6X14 (Ref # 92172) | 92172-0004 | 10 |