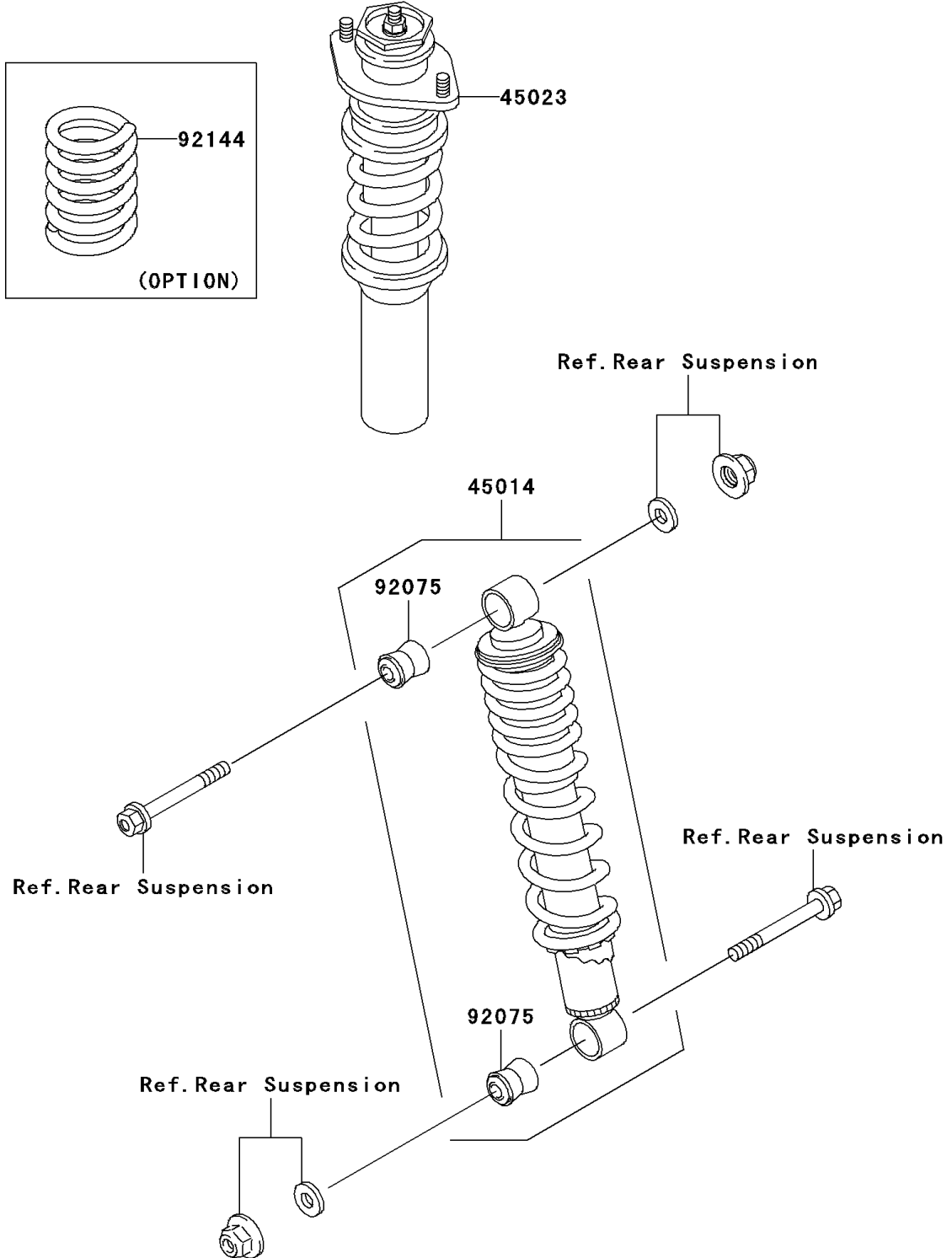


# 2008 Mule 3010 Trans4x4 Diesel PARTS DIAGRAM

Shock Absorber(s)

F2280



## 2008 Mule 3010 Trans4x4 Diesel PARTS LIST

### Shock Absorber(s)

ITEM NAME	PART NUMBER	QUANTITY
SHOCKABSORBER,RR (Ref # 45014)	45014-7505	2
STRUT,K=19.1N/MM (Ref # 45023)	45023-7506	2
DAMPER,SHOCKABSORBER (Ref # 92075)	92075-1784	4
SPRING,STRUT,K=30.7N/MM (Ref # 92144)	92144-1919	2