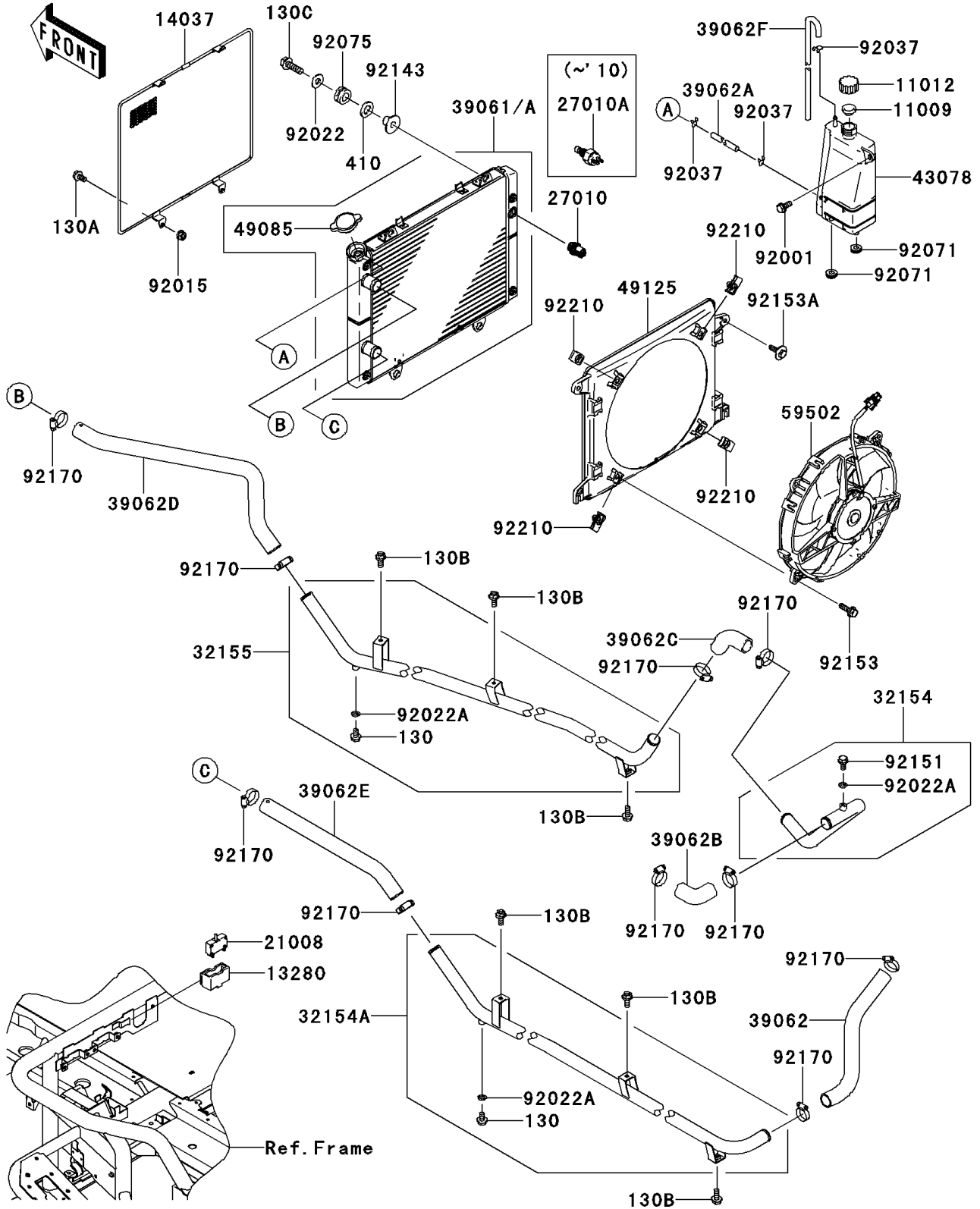


# 2009 Mule 4010 Diesel 4X4 PARTS DIAGRAM

Radiator

E3032



## 2009 Mule 4010 Diesel 4X4 PARTS LIST

### Radiator

ITEM NAME	PART NUMBER	QUANTITY
GASKET,RESERVOIR TANK CAP (Ref # 11009)	11009-1145	1
CAP (Ref # 11012)	11012-1084	1
HOLDER,BREAKER (Ref # 13280)	13280-0082	1
SCREEN (Ref # 14037)	14037-7506	1
BREAKER,FAN MOTOR (Ref # 21008)	21008-0005	1
SWITCH,FAN (Ref # 27010A)	27010-1317	1
PIPE,RH (Ref # 32154)	32154-7608	1
PIPE (Ref # 32154A)	32154-7620	1
PIPE,RH FR (Ref # 32155)	32155-0006	1
RADIATOR-ASSY (Ref # 39061)	39061-0147	1
HOSE-COOLING (Ref # 39062)	39062-0032	1
HOSE-COOLING,5.5X10.5X650 (Ref # 39062A)	39062-0266	1
HOSE-COOLING (Ref # 39062B)	39062-7503	1
HOSE-COOLING (Ref # 39062C)	39062-7504	1
HOSE-COOLING (Ref # 39062D)	39062-7505	1
HOSE-COOLING (Ref # 39062E)	39062-7506	1
HOSE-COOLING,DRAIN (Ref # 39062F)	39062-7507	1
RESERVOIR (Ref # 43078)	43078-0062	1
CAP-ASSY-PRESSURE (Ref # 49085)	49085-7501	1
SHROUD (Ref # 49125)	49125-0035	1
FAN-ASSY (Ref # 59502)	59502-7501	1
BOLT,W/P,6X16 (Ref # 92001)	92001-1860	1
NUT,FLANGED,6MM (Ref # 92015)	92015-1367	2
WASHER,8.5X20X1.6,BLACK (Ref # 92022)	92022-1317	4
WASHER,6.2X11X1 (Ref # 92022A)	92022-304	3
CLAMP,TUBE (Ref # 92037)	92037-147	3
GROMMET (Ref # 92071)	92071-1115	2
DAMPER (Ref # 92075)	92075-294	4
COLLAR (Ref # 92143)	92143-1946	4

## 2009 Mule 4010 Diesel 4X4 PARTS LIST

### Radiator

ITEM NAME	PART NUMBER	QUANTITY
BOLT,6X10 (Ref # 92151)	92151-1832	1
BOLT (Ref # 92153)	92153-7505	4
BOLT (Ref # 92153A)	92153-7506	4
CLAMP,COOLING HOSE (Ref # 92170)	92170-1284	10
NUT (Ref # 92210)	92210-1331	4
BOLT-FLANGED,6X10 (Ref # 130)	130BB0610	2
BOLT-FLANGED,6X12 (Ref # 130A)	130BB0612	2
BOLT-FLANGED,6X14 (Ref # 130B)	130BB0614	6
BOLT-FLANGED,8X25 (Ref # 130C)	130BB0825	4
WASHER-PLAIN-SMALL,12MM,BLACK (Ref # 410)	410AB1200	4