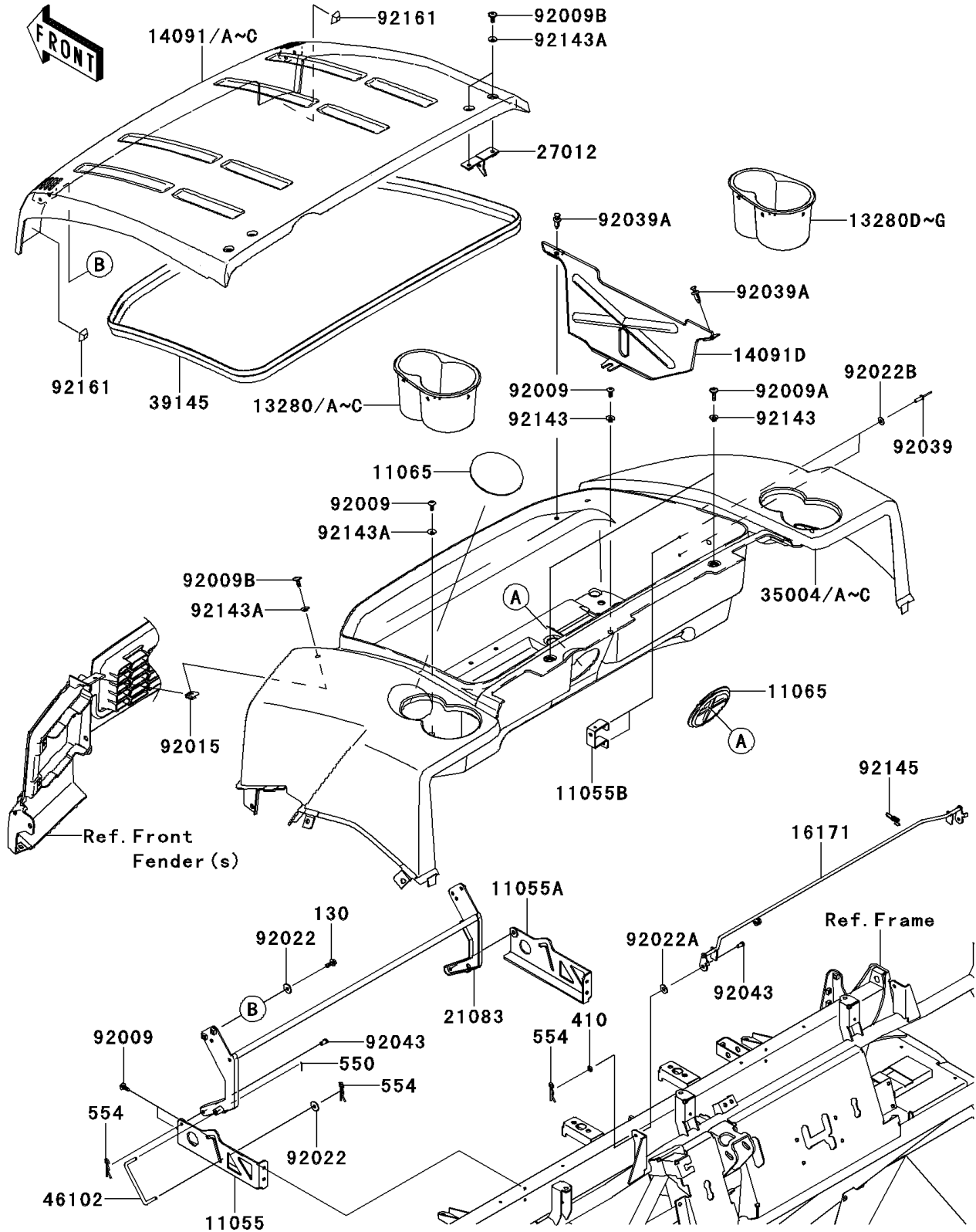


2009 Mule 4010 4x4 PARTS DIAGRAM

Fenders(M9F-MBF)

F2170



2009 Mule 4010 4x4 PARTS LIST

Fenders(M9F-MBF)

ITEM NAME	PART NUMBER	QUANTITY
BRACKET,HINGE,LH (Ref # 11055)	11055-0037	1
BRACKET,HINGE,RH (Ref # 11055A)	11055-0038	1
BRACKET,RESERVOIR TANK (Ref # 11055B)	11055-0124	1
CAP,F.BLACK (Ref # 11065)	11065-1053-6Z	2
HOLDER,CUP HOLDER,LH,D.R.RED (Ref # 13280)	13280-0265-16L	1
HOLDER,CUP HOLDER,LH,W.GREEN (Ref # 13280B)	13280-0265-286	1
HOLDER,CUP HOLDER,RH,D.R.RED (Ref # 13280D)	13280-0266-16L	1
HOLDER,CUP HOLDER,RH,W.GREEN (Ref # 13280F)	13280-0266-286	1
COVER,FRONT FENDER,D.R.RED (Ref # 14091)	14091-0829-16L	1
COVER,FRONT FENDER,W.GREEN (Ref # 14091B)	14091-0829-286	1
COVER,RESERVOIR TANK (Ref # 14091D)	14091-1715	1
LINK (Ref # 16171)	16171-0013	1
ARM,HOOD (Ref # 21083)	21083-0051	1
HOOK,HOOD (Ref # 27012)	27012-0119	2
FENDER-FRONT,CNT,D.R.RED (Ref # 35004)	35004-0096-16L	1
FENDER-FRONT,CNT,W.GREEN (Ref # 35004B)	35004-0096-286	1
TRIM-SEAL,L=2350 (Ref # 39145)	39145-0032	1
ROD (Ref # 46102)	46102-0103	1
SCREW,TAPPING,6X16 (Ref # 92009)	92009-1166	6
SCREW,6X22,BLACK (Ref # 92009A)	92009-1256	2
SCREW,6X16 (Ref # 92009B)	92009-1621	6
NUT,CLAMP,6MM (Ref # 92015)	92015-1678	2
WASHER,6.5X20X1.6,BLACK (Ref # 92022)	92022-1346	5
WASHER,7X18X1.2 (Ref # 92022A)	92022-1545	2
WASHER,4.3X12.5X1 (Ref # 92022B)	92022-1949	2
RIVET (Ref # 92039)	92039-1150	2
RIVET (Ref # 92039A)	92039-1229	2
PIN,6X9 (Ref # 92043)	92043-1626	4
COLLAR (Ref # 92143)	92143-1057	3

2009 Mule 4010 4x4 PARTS LIST

Fenders(M9F-MBF)

ITEM NAME	PART NUMBER	QUANTITY
COLLAR (Ref # 92143A)	92143-1087	7
SPRING (Ref # 92145)	92145-0215	1
DAMPER,FR HOOD (Ref # 92161)	92161-0790	2
BOLT-FLANGED,6X16 (Ref # 130)	130BB0616	4
WASHER-PLAIN-SMALL (Ref # 410)	410AA0600	2
PIN-COTTER,1.6X15 (Ref # 550)	550AA1615	1
PIN-SNAP (Ref # 554)	554DA0600	5