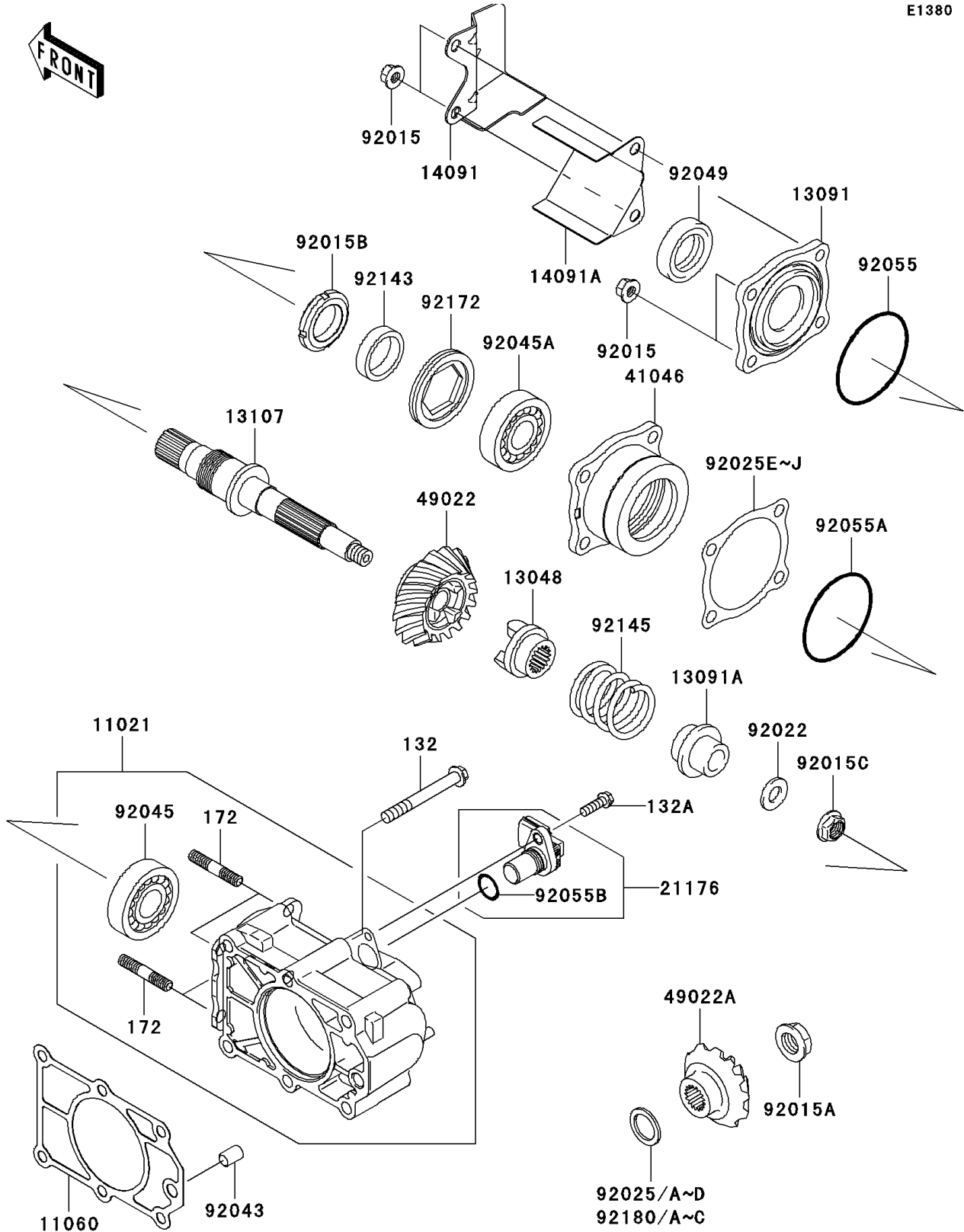


# 2010 Mule 4010 Trans4x4 PARTS DIAGRAM

Bevel Gear Case

E1380



## 2010 Mule 4010 Trans4x4 PARTS LIST

### Bevel Gear Case

| ITEM NAME                        | PART NUMBER | QUANTITY |
|----------------------------------|-------------|----------|
| CASE-ASSY (Ref # 11021)          | 11021-0016  | 1        |
| GASKET,GEAR CASE (Ref # 11060)   | 11060-1311  | 1        |
| CAM-DAMPER (Ref # 13048)         | 13048-1089  | 1        |
| HOLDER,GEAR CASE (Ref # 13091)   | 13091-1620  | 1        |
| HOLDER,CAM DAMPER (Ref # 13091A) | 13091-1810  | 1        |
| SHAFT,BEVEL GEAR (Ref # 13107)   | 13107-1523  | 1        |
| COVER (Ref # 14091)              | 14091-0939  | 1        |
| COVER (Ref # 14091A)             | 14091-1672  | 1        |
| SENSOR,SPEED (Ref # 21176)       | 21176-1104  | 1        |
| HOUSING-BEARING (Ref # 41046)    | 41046-1083  | 1        |
| GEAR-BEVEL,18T (Ref # 49022)     | 49022-1204  | 1        |
| GEAR-BEVEL,15T (Ref # 49022A)    | 49022-1205  | 1        |
| NUT,8MM (Ref # 92015)            | 92015-1402  | 4        |
| NUT,16MM (Ref # 92015A)          | 92015-1581  | 1        |
| NUT,30MM (Ref # 92015B)          | 92015-1858  | 1        |
| NUT,12MM (Ref # 92015C)          | 92015-1920  | 1        |
| WASHER,12X24X2.3 (Ref # 92022)   | 92022-1890  | 1        |
| SHIM,20.3X28X1.3 (Ref # 92025)   | 92025-1533  | AR       |
| SHIM,20.3X28X0.7 (Ref # 92025A)  | 92025-1534  | AR       |
| SHIM,20.3X28X0.15 (Ref # 92025B) | 92025-1573  | AR       |
| SHIM,20.3X28X0.20 (Ref # 92025C) | 92025-1574  | AR       |
| SHIM,20.3X28X1.1 (Ref # 92025D)  | 92025-1575  | AR       |
| SHIM,T=1.00 (Ref # 92025E)       | 92025-1858  | AR       |
| SHIM,T=0.10 (Ref # 92025F)       | 92025-1859  | AR       |
| SHIM,T=0.15 (Ref # 92025G)       | 92025-1860  | AR       |
| SHIM,T=0.50 (Ref # 92025H)       | 92025-1861  | AR       |
| SHIM,T=0.80 (Ref # 92025I)       | 92025-1862  | AR       |
| SHIM,T=1.20 (Ref # 92025J)       | 92025-1863  | AR       |
| PIN,DOWEL,10X14 (Ref # 92043)    | 92043-1037  | 1        |

## 2010 Mule 4010 Trans4x4 PARTS LIST

### Bevel Gear Case

| ITEM NAME                            | PART NUMBER | QUANTITY |
|--------------------------------------|-------------|----------|
| BEARING-BALL,6205CM (Ref # 92045)    | 92045-1200  | 1        |
| BEARING-BALL,6006CM (Ref # 92045A)   | 92045-1201  | 1        |
| SEAL-OIL (Ref # 92049)               | 92049-1288  | 1        |
| RING-O,66.5MM (Ref # 92055)          | 92055-1287  | 1        |
| RING-O,63.6X2.4 (Ref # 92055A)       | 92055-1294  | 1        |
| RING-O (Ref # 92055B)                | 92055-1718  | 1        |
| COLLAR (Ref # 92143)                 | 92143-1600  | 1        |
| SPRING (Ref # 92145)                 | 92145-1542  | 1        |
| SCREW,SET,58X10 (Ref # 92172)        | 92172-0316  | 1        |
| SHIM,20.3X28X0.8 (Ref # 92180)       | 92180-0288  | AR       |
| SHIM,20.3X28X0.9 (Ref # 92180A)      | 92180-0289  | AR       |
| SHIM,20.3X28X1.0 (Ref # 92180B)      | 92180-0290  | AR       |
| SHIM,20.3X28X1.2 (Ref # 92180C)      | 92180-0291  | AR       |
| BOLT-FLANGED-SMALL,8X70 (Ref # 132)  | 132BA0870   | 6        |
| BOLT-FLANGED-SMALL,6X20 (Ref # 132A) | 132BD0620   | 1        |
| BOLT-STUD,8X30 (Ref # 172)           | 172BA0830   | 4        |