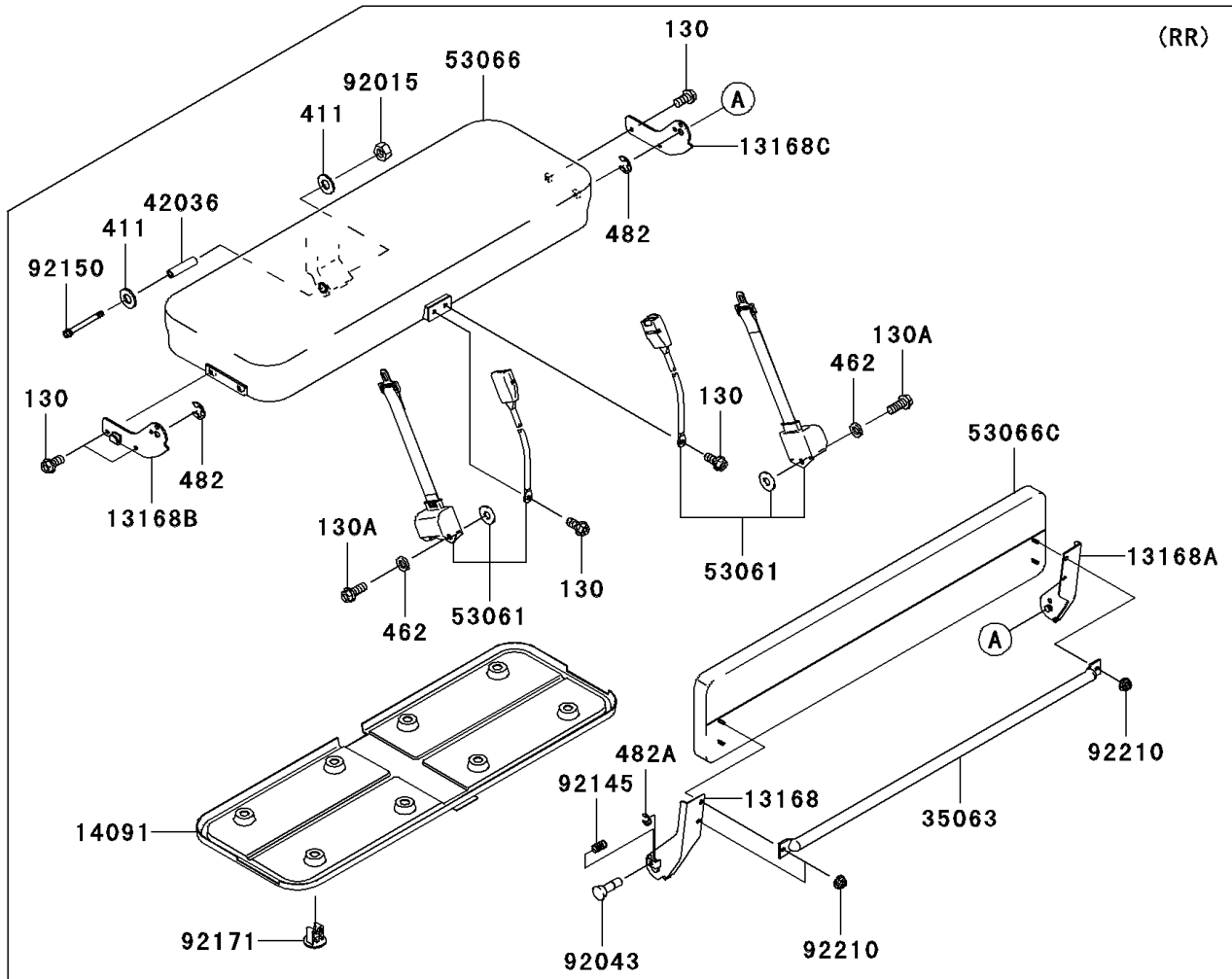
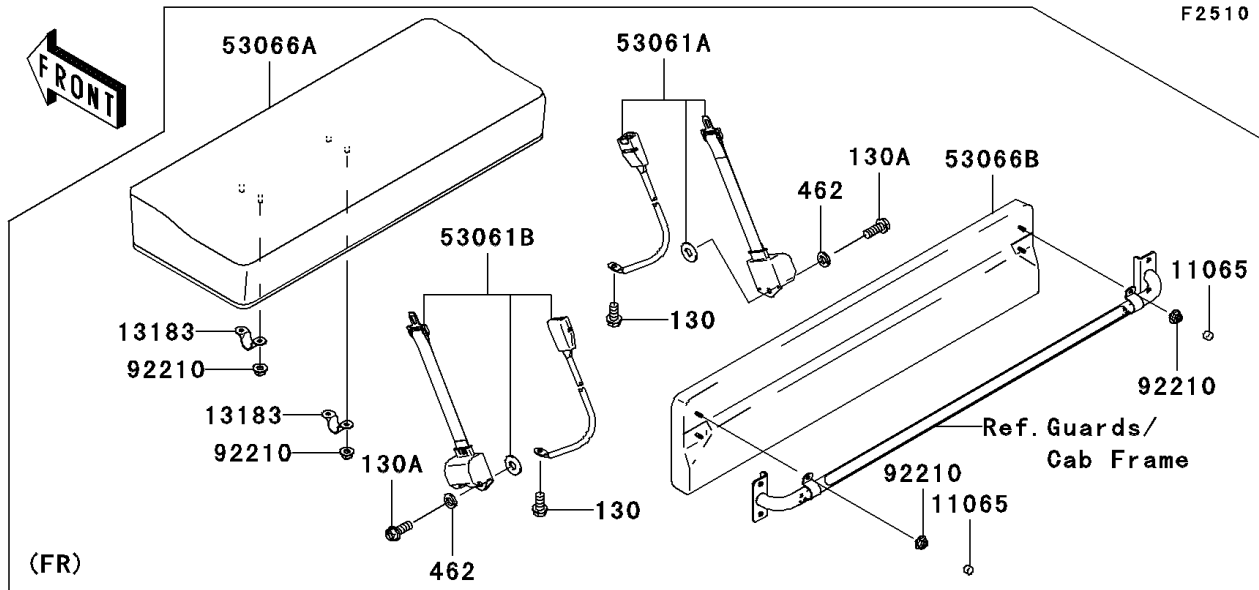


# 2009 Mule 4010 Trans4x4 PARTS DIAGRAM

Seat(R9F-RAFA)



## 2009 Mule 4010 Trans4x4 PARTS LIST

Seat(R9F-RAFA)

| ITEM NAME                              | PART NUMBER   | QUANTITY |
|--|---------------|----------|
| CAP (Ref # 11065)                      | 11065-7504    | 4        |
| LEVER,SEAT,TOP,LH (Ref # 13168)        | 13168-7502    | 1        |
| LEVER,SEAT,TOP,RH (Ref # 13168A)       | 13168-7503    | 1        |
| LEVER,SEAT,LWR,LH (Ref # 13168B)       | 13168-7504    | 1        |
| LEVER,SEAT,LWR,RH (Ref # 13168C)       | 13168-7505    | 1        |
| PLATE,SEAT (Ref # 13183)               | 13183-1400    | 2        |
| COVER,REAR SEAT,BOTTOM (Ref # 14091)   | 14091-1740    | 1        |
| STAY,REAR BACK (Ref # 35063)           | 35063-7510    | 1        |
| SLEEVE,12.1X20X85 (Ref # 42036)        | 42036-7501    | 1        |
| BELT-SEAT,RR (Ref # 53061)             | 53061-7506    | 2        |
| BELT-SEAT,FR,RH (Ref # 53061A)         | 53061-7507    | 1        |
| BELT-SEAT,FR,LH (Ref # 53061B)         | 53061-7508    | 1        |
| SEAT-ASSY,RR,LWR,BLACK (Ref # 53066)   | 53066-0226-MA | 1        |
| SEAT-ASSY,FR,LWR,BLACK (Ref # 53066A)  | 53066-7502-MA | 1        |
| SEAT-ASSY,FR,BACK,BLACK (Ref # 53066B) | 53066-7503-MA | 1        |
| SEAT-ASSY,RR,BACK,BLACK (Ref # 53066C) | 53066-7507-MA | 1        |
| NUT,LOCK,12MM,BLACK (Ref # 92015)      | 92015-1190    | 1        |
| PIN (Ref # 92043)                      | 92043-7503    | 1        |
| SPRING (Ref # 92145)                   | 92145-7507    | 1        |
| BOLT,FLANGED,12X117 (Ref # 92150)      | 92150-1895    | 1        |
| CLAMP (Ref # 92171)                    | 92171-7509    | 8        |
| NUT,FLANGED,LOCK,8MM (Ref # 92210)     | 92210-0005    | 12       |
| BOLT-FLANGED,10X20 (Ref # 130)         | 130BB1020     | 8        |
| BOLT-FLANGED,10X25 (Ref # 130A)        | 130BB1025     | 4        |
| WASHER-PLAIN (Ref # 411)               | 411AB1200     | 2        |
| WASHER-SPRING,10MM (Ref # 462)         | 462DB1000     | 4        |
| CIRCLIP-TYPE-E (Ref # 482)             | 482EA0200     | 2        |
| CIRCLIP-TYPE-E,8MM (Ref # 482A)        | 482EA8000     | 1        |