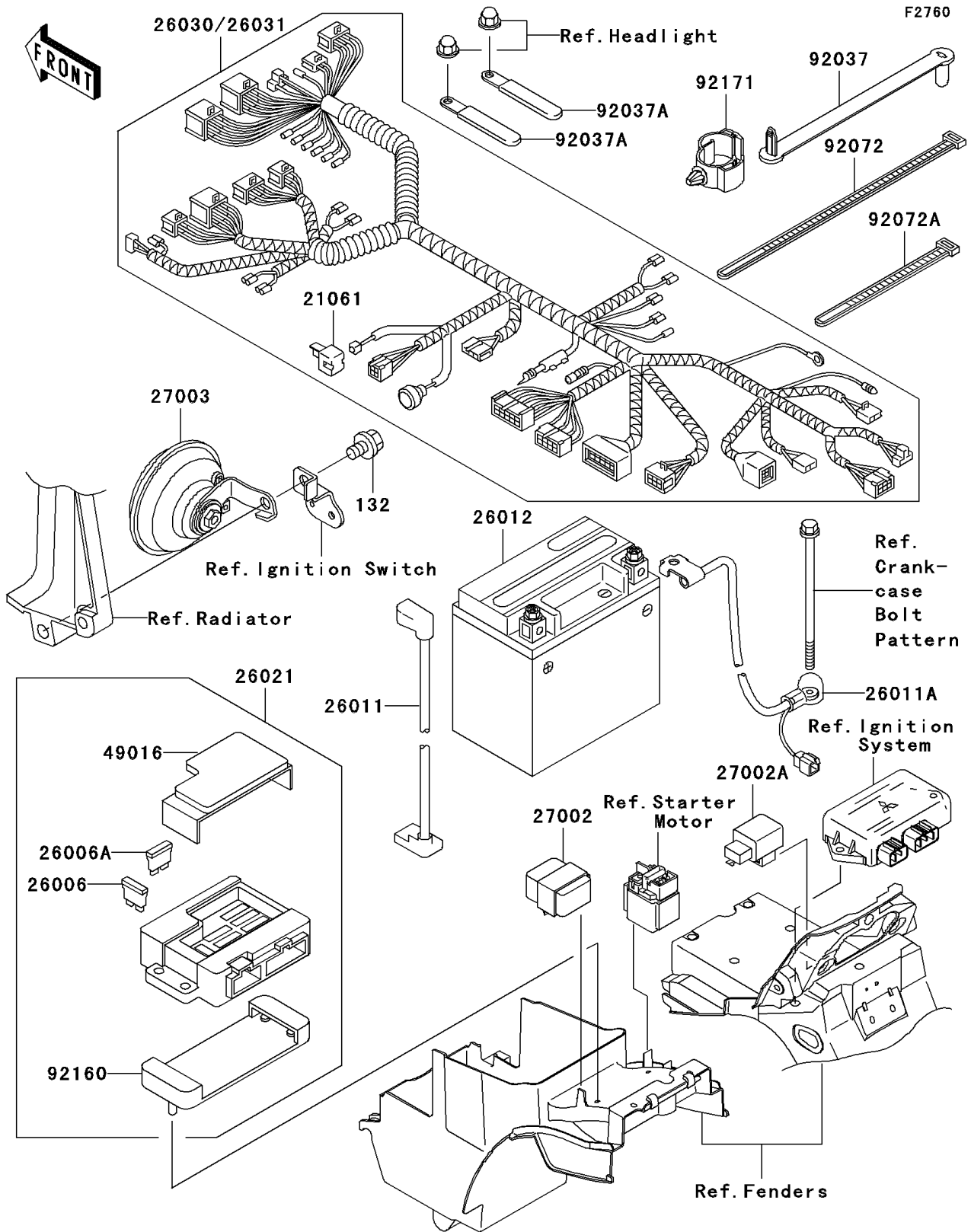


2003 ZRX1200R PARTS DIAGRAM

Chassis Electrical Equipment



2003 ZRX1200R PARTS LIST

Chassis Electrical Equipment

ITEM NAME	PART NUMBER	QUANTITY
BOLT-FLANGED-SMALL,8X12 (Ref # 132)	132J0812	1
RECTIFIER (Ref # 21061)	21061-1059	1
FUSE,30A-G (Ref # 26006)	26006-1067	1
FUSE,10A-R (Ref # 26006A)	26006-1068	8
WIRE-LEAD,BATTERY(+) (Ref # 26011)	26011-1792	1
WIRE-LEAD,BATTERY(-) (Ref # 26011A)	26011-1793	1
BATTERY,FTZ14-BS,12V 14AH (Ref # 26012)	26012-1409	1
JUNCTION BOX (Ref # 26021)	26021-1096	1
HARNESS,MAIN (Ref # 26031)	26031-0005	1
RELAY-ASSY,HEAD LAMP (Ref # 27002)	27002-1078	1
RELAY-ASSY,TURN SIGNAL (Ref # 27002A)	27002-1101	1
HORN,RH (Ref # 27003)	27003-1424	1
COVER-SEAL,FUSE (Ref # 49016)	49016-1177	1
CLAMP,SPEED,L=58 (Ref # 92037)	92037-1163	1
CLAMP (Ref # 92037A)	92037-1993	2
BAND,L=250 (Ref # 92072)	92072-1237	4
BAND,L=140 (Ref # 92072A)	92072-1293	2
DAMPER,JUNCTION BOX (Ref # 92160)	92160-1650	1
CLAMP,C CRIP,DIA=13 (Ref # 92171)	92171-1415	2