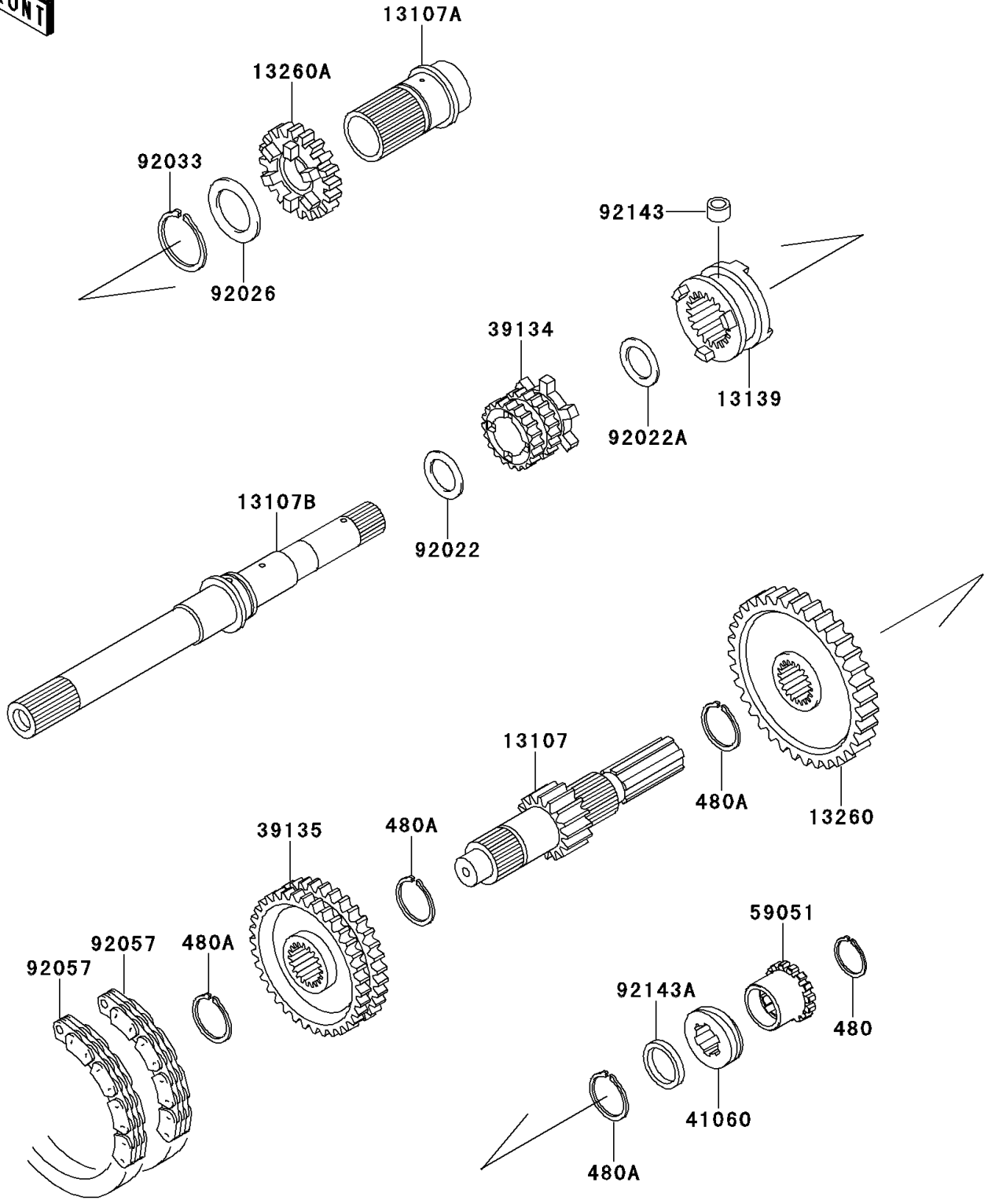


2010 Mule 4000 PARTS DIAGRAM

Transmission

E1361



2010 Mule 4000 PARTS LIST

Transmission

ITEM NAME	PART NUMBER	QUANTITY
SHAFT,COUNTER (Ref # 13107)	13107-0191	1
SHAFT,INPUT OUTER (Ref # 13107A)	13107-1315	1
SHAFT,INPUT (Ref # 13107B)	13107-1471	1
SHIFTER,FR/RR (Ref # 13139)	13139-1072	1
GEAR,OUTPUT REVERSE,51T (Ref # 13260)	13260-1288	1
GEAR,INPUT 28T (Ref # 13260A)	13260-1462	1
SPROCKET-DRIVE,20T (Ref # 39134)	39134-1055	1
SPROCKET-DRIVEN,41T (Ref # 39135)	39135-1055	1
GEAR-METER SCREW (Ref # 41060)	41060-1147	1
GEAR-SPUR,15T (Ref # 59051)	59051-0086	1
WASHER,25.3X33X1 (Ref # 92022)	92022-1109	1
WASHER,22.3X33X1.0 (Ref # 92022A)	92022-1573	1
SPACER,35.3X44X0.5 (Ref # 92026)	92026-1375	1
RING-SNAP (Ref # 92033)	92033-1269	1
CHAIN,REVERSE,81RH2520,54L (Ref # 92057)	92057-1364	2
COLLAR,8X14X10.5 (Ref # 92143)	92143-1497	1
COLLAR,25X32X4.5 (Ref # 92143A)	92143-1597	1
CIRCLIP-TYPE-C,25MM (Ref # 480)	480J2500	1
CIRCLIP-TYPE-C,30MM (Ref # 480A)	480J3000	4