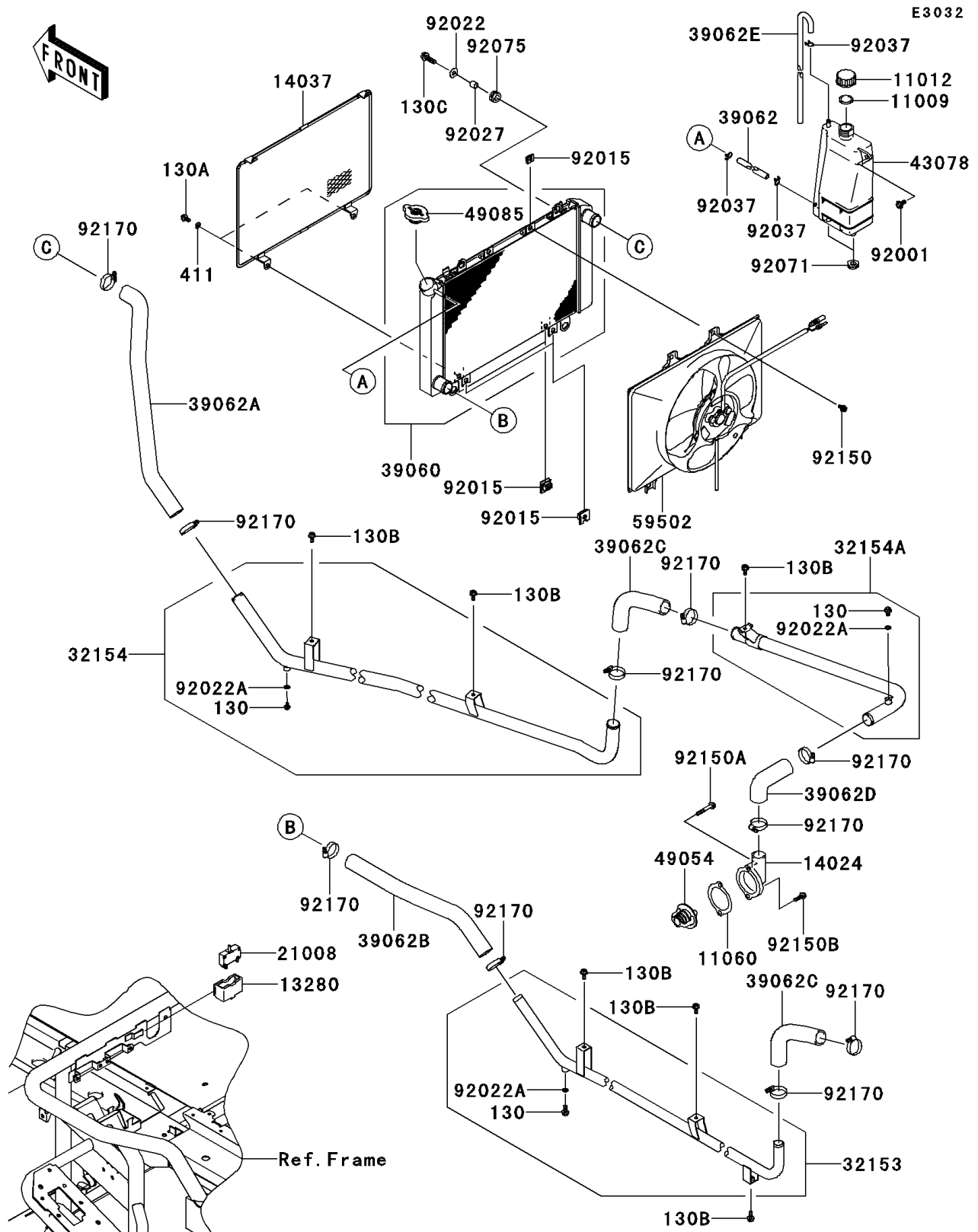


2009 Mule 4000 PARTS DIAGRAM

Radiator



2009 Mule 4000 PARTS LIST

Radiator

ITEM NAME	PART NUMBER	QUANTITY
GASKET,RESERVOIR TANK CAP (Ref # 11009)	11009-1145	1
CAP (Ref # 11012)	11012-1084	1
GASKET,THERMOSTAT COVER (Ref # 11060)	11060-2084	1
HOLDER,BREAKER (Ref # 13280)	13280-0082	1
COVER,THERMOSTAT (Ref # 14024)	14024-2293	1
SCREEN (Ref # 14037)	14037-0088	1
BREAKER,FAN MOTOR (Ref # 21008)	21008-0001	1
PIPE,LH (Ref # 32153)	32153-1326	1
PIPE,RH,FR (Ref # 32154)	32154-1656	1
PIPE,RH,RR (Ref # 32154A)	32154-1658	1
RADIATOR (Ref # 39060)	39060-0066	1
HOSE-COOLING,5.5X10.5X650 (Ref # 39062)	39062-0266	1
HOSE-COOLING,PIPE-RAD. (Ref # 39062A)	39062-0282	1
HOSE-COOLING,RAD.-LH PIPE (Ref # 39062B)	39062-0283	1
HOSE-COOLING,PIPE-E/G (Ref # 39062C)	39062-0286	2
HOSE-COOLING (Ref # 39062D)	39062-1832	1
HOSE-COOLING,DRAIN (Ref # 39062E)	39062-7507	1
RESERVOIR (Ref # 43078)	43078-0062	1
THERMOSTAT (Ref # 49054)	49054-2056	1
CAP-ASSY-PRESSURE (Ref # 49085)	49085-1066	1
FAN-ASSY (Ref # 59502)	59502-0042	1
BOLT,W/P,6X16 (Ref # 92001)	92001-1860	1
NUT (Ref # 92015)	92015-1487	6
WASHER,8.5X20X1.6,BLACK (Ref # 92022)	92022-1317	4
WASHER,6.2X11X1 (Ref # 92022A)	92022-304	3
COLLAR,8.8X12X10.7 (Ref # 92027)	92027-102	4
CLAMP,TUBE (Ref # 92037)	92037-147	3
GROMMET (Ref # 92071)	92071-1115	2
DAMPER (Ref # 92075)	92075-294	4

2009 Mule 4000 PARTS LIST

Radiator

ITEM NAME	PART NUMBER	QUANTITY
BOLT,6X12 (Ref # 92150)	92150-1186	4
BOLT,6X40 (Ref # 92150A)	92150-2230	1
BOLT,6X20 (Ref # 92150B)	92150-2231	1
CLAMP,COOLING HOSE (Ref # 92170)	92170-1284	10
BOLT-FLANGED,6X10 (Ref # 130)	130BB0610	3
BOLT-FLANGED,6X12 (Ref # 130A)	130BB0612	2
BOLT-FLANGED,6X14 (Ref # 130B)	130BB0614	6
BOLT-FLANGED,8X25 (Ref # 130C)	130BB0825	4
WASHER-PLAIN,6.5X13X1 (Ref # 411)	411AB0600	2