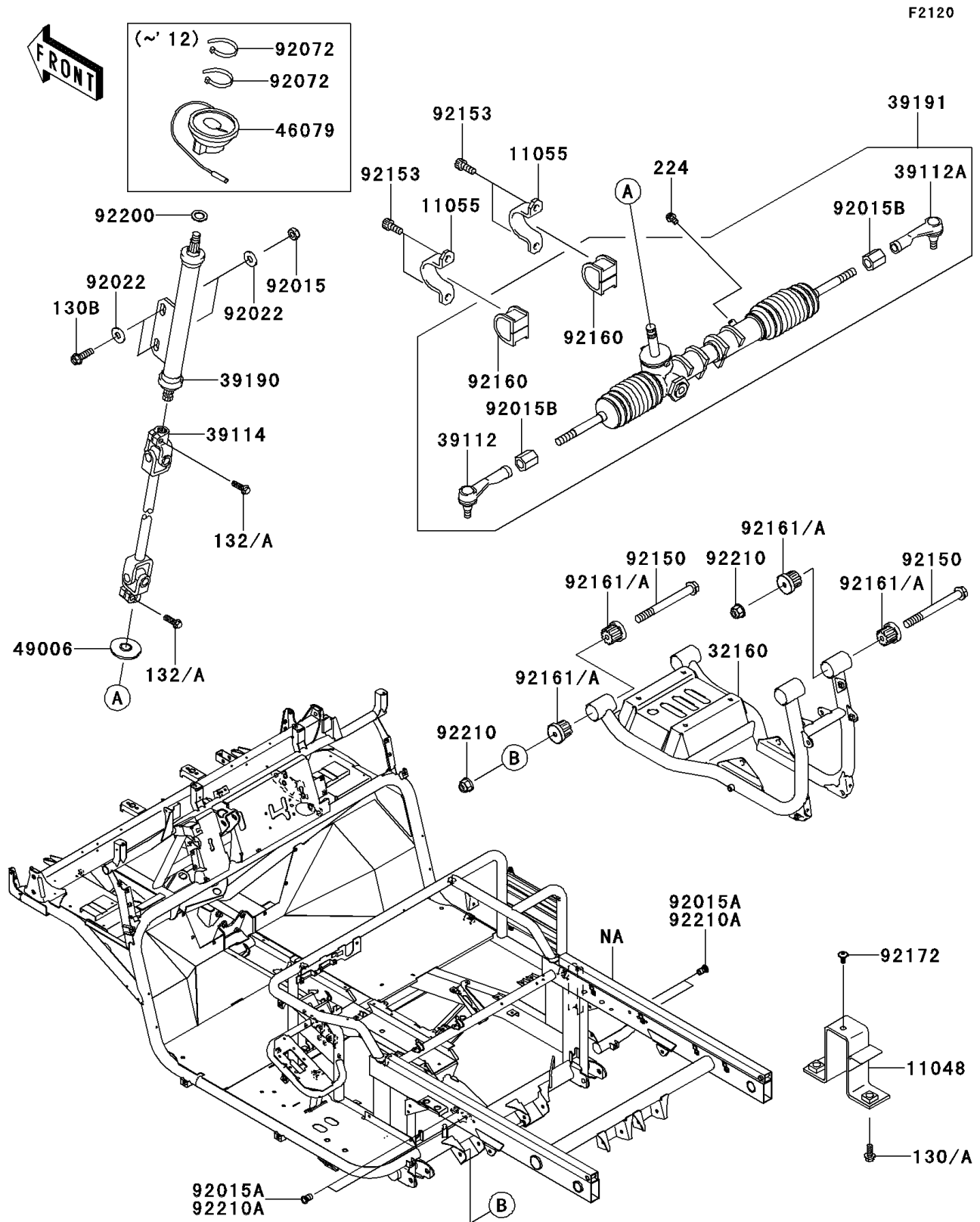


# 2009 Mule 4000 PARTS DIAGRAM

Frame



## 2009 Mule 4000 PARTS LIST

### Frame

ITEM NAME	PART NUMBER	QUANTITY
BRACKET,REAR FRAME (Ref # 11048)	11048-1245	1
BRACKET,STEERING GEAR (Ref # 11055)	11055-1240	2
FRAME-COMP,RR (Ref # 32160)	32160-0004	1
RODEND-TIE,STEERING GEAR,LH (Ref # 39112)	39112-1068	1
RODEND-TIE,STEERING GEAR,RH (Ref # 39112A)	39112-1069	1
SHAFT-COMP-STRG (Ref # 39114)	39114-0009	1
SHAFT-ASSY-STEERING (Ref # 39190)	39190-0005	1
GEAR-ASSY-STEERING (Ref # 39191)	39191-0016	1
CONTACT,HORN SWITCH (Ref # 46079)	46079-1063	1
BOOT,STEERING SHAFT,LWR (Ref # 49006)	49006-1255	1
NUT,LOCK,10MM,BLACK (Ref # 92015)	92015-1189	2
NUT,POP,6MM,L=15 (Ref # 92015A)	92015-1791	4
NUT (Ref # 92015B)	92015-1864	2
WASHER,10.5X26X2.3,BLACK (Ref # 92022)	92022-1396	4
BAND,L=188 (Ref # 92072)	92072-1239	2
BOLT,FLANGED,10X100 (Ref # 92150)	92150-1731	4
BOLT,SOCKET,10X23 (Ref # 92153)	92153-1269	4
DAMPER,STEERING GEAR (Ref # 92160)	92160-1084	2
DAMPER (Ref # 92161A)	92161-1126	8
SCREW,6X14 (Ref # 92172)	92172-0004	1
NUT,LOCK,FLANGED,10MM (Ref # 92210)	92210-1139	4
BOLT-FLANGED,8X20 (Ref # 130A)	130BB0820	2
BOLT-FLANGED,10X30 (Ref # 130B)	130BB1030	2
BOLT-FLANGED-SMALL,8X25 (Ref # 132A)	132BB0825	2
SCREW-PAN-WP-CROS,5X8 (Ref # 224)	224AA0508	1