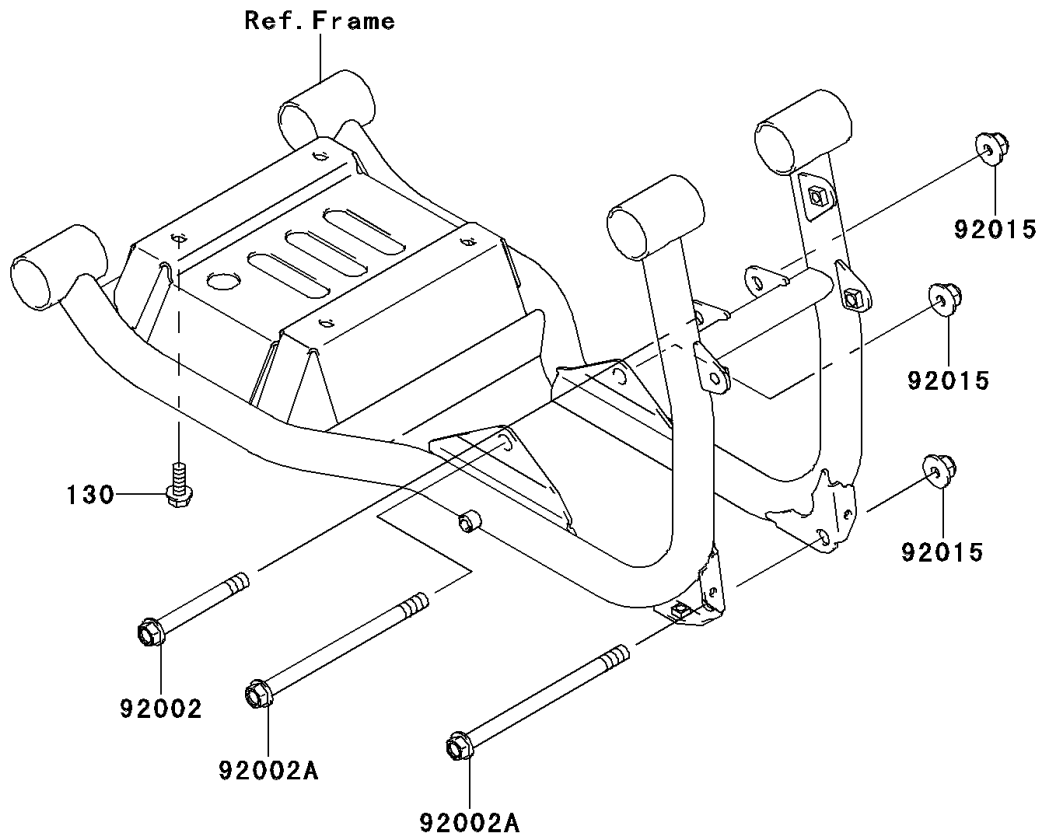
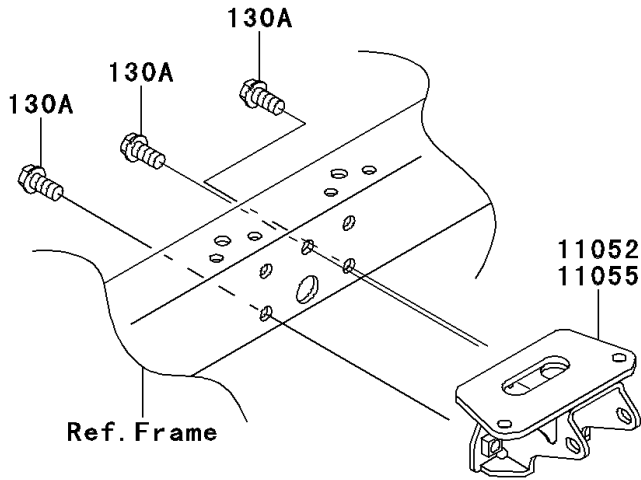


# 2009 Mule 4000 PARTS DIAGRAM

Engine Mount

F2122



## 2009 Mule 4000 PARTS LIST

### Engine Mount

ITEM NAME	PART NUMBER	QUANTITY
BRACKET,FRONT GEAR CASE (Ref # 11052)	11052-1575	1
BOLT,FLANGED,10X80 (Ref # 92002)	92002-1764	1
BOLT,FLANGED,10X145 (Ref # 92002A)	92002-1765	2
NUT,LOCK,10MM (Ref # 92015)	92015-1597	3
BOLT-FLANGED,8X20 (Ref # 130)	130BA0820	4
BOLT-FLANGED,10X20 (Ref # 130A)	130BA1020	3