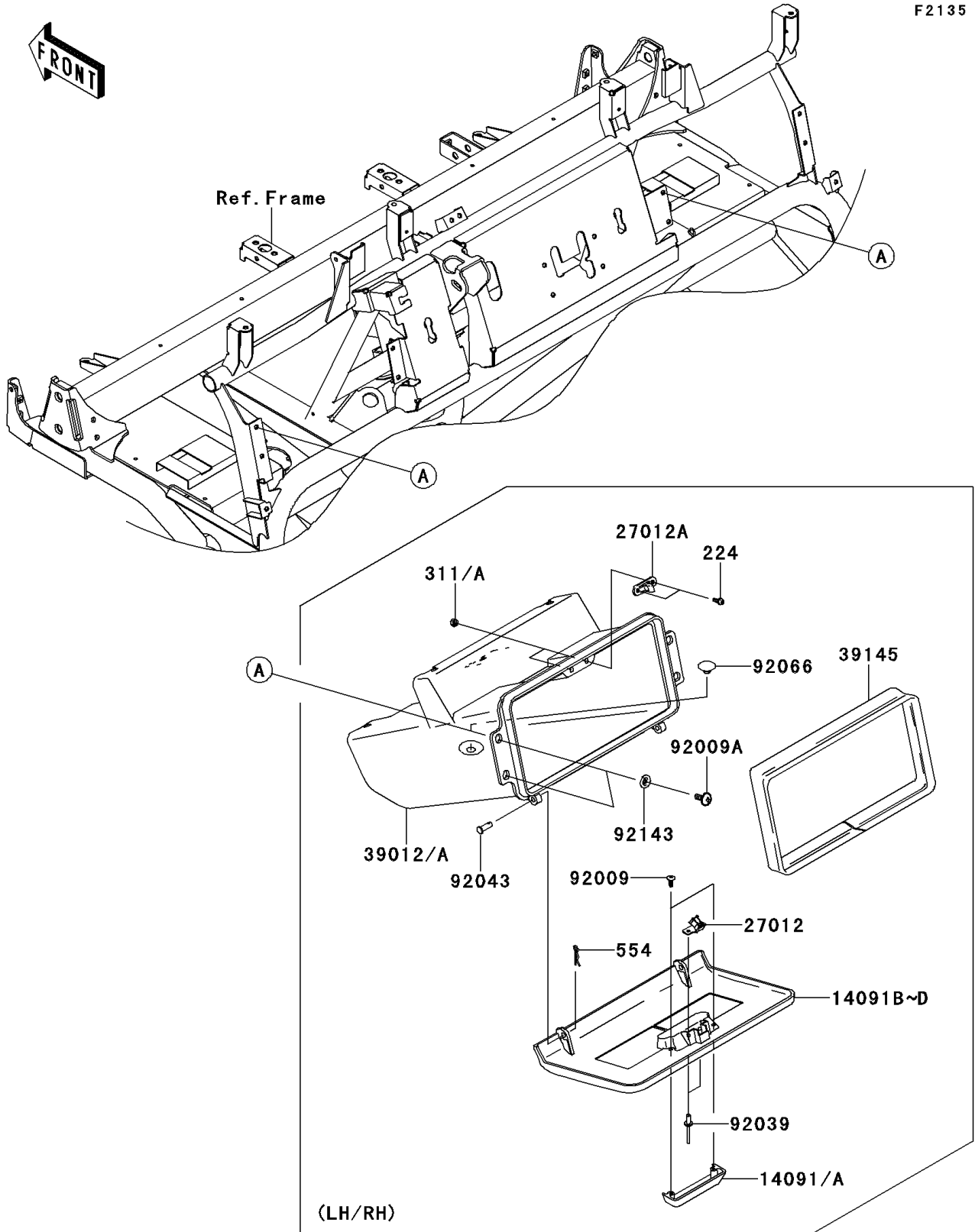


2009 Mule 4010 Trans4x4 Hardwoods Green HD PARTS DIAGRAM

Front Box

F2135



2009 Mule 4010 Trans4x4 Hardwoods Green HD PARTS LIST

Front Box

| ITEM NAME | PART NUMBER | QUANTITY |
|--|----------------|----------|
| COVER,STORAGE GRIP,S.M.BROWN (Ref # 14091) | 14091-1659-275 | 2 |
| COVER,CONTROL PANEL,C.H.GREEN (Ref # 14091D) | 14091-1660-826 | 2 |
| HOOK (Ref # 27012) | 27012-1607 | 2 |
| HOOK (Ref # 27012A) | 27012-1612 | 2 |
| CASE-STORAGE,RH,S.M.BROWN (Ref # 39012) | 39012-1061-275 | 2 |
| TRIM-SEAL,L=774 (Ref # 39145) | 39145-1130 | 2 |
| SCREW,TAPPING,4X12 (Ref # 92009) | 92009-1444 | 4 |
| SCREW,6X16 (Ref # 92009A) | 92009-1621 | 8 |
| RIVET (Ref # 92039) | 92039-1041 | 4 |
| PIN,6X14.5 (Ref # 92043) | 92043-125 | 4 |
| PLUG (Ref # 92066) | 92066-1485 | 2 |
| COLLAR (Ref # 92143) | 92143-1087 | 8 |
| SCREW-PAN-WP-CROS,4X12 (Ref # 224) | 224AB0412 | 4 |
| NUT-HEX (Ref # 311A) | 311AB0400 | 4 |
| PIN-SNAP (Ref # 554) | 554DA0600 | 4 |