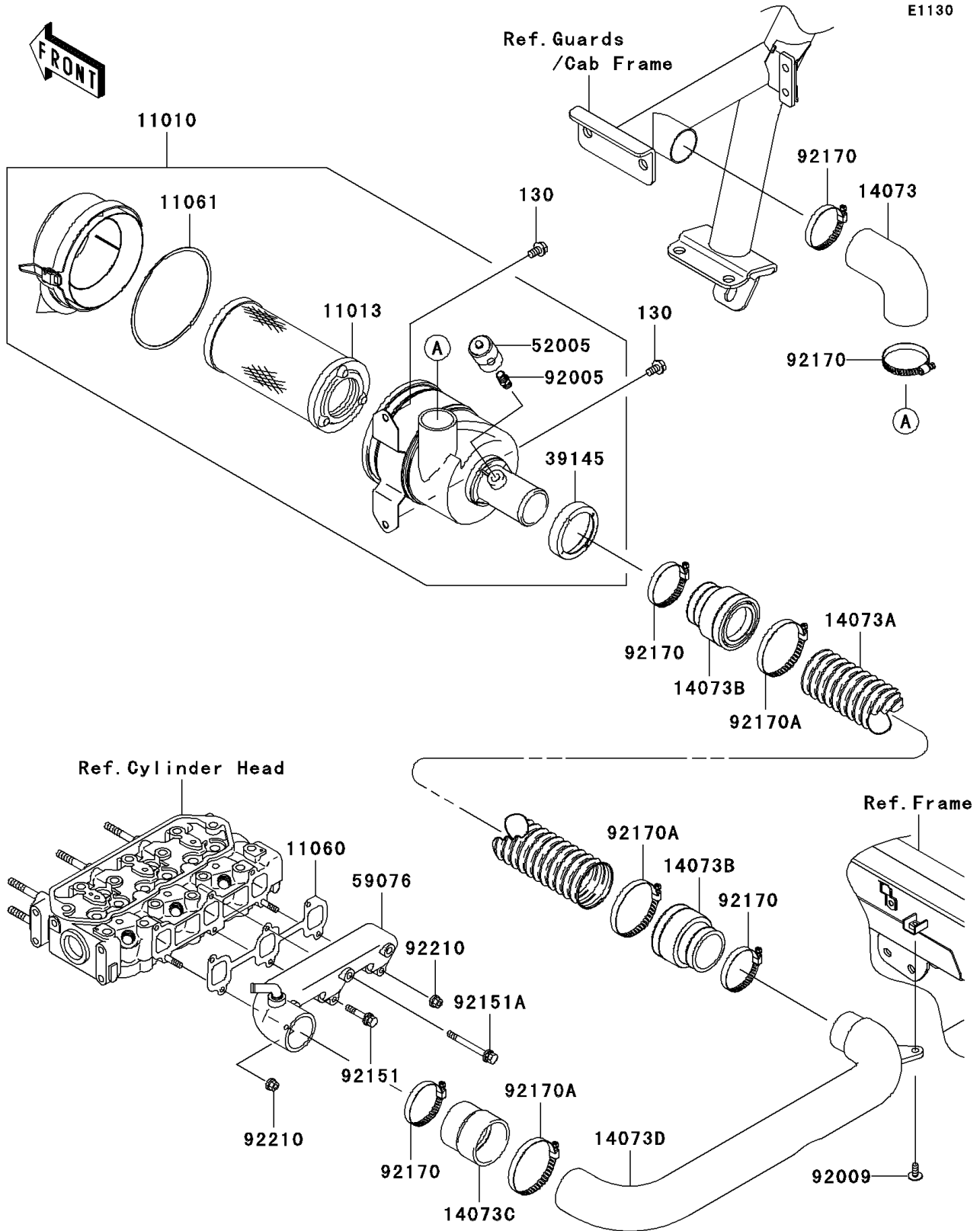


2010 Mule 4010 Trans4x4 Diesel Realtree APG HD PARTS DIAGRA

Air Cleaner



2010 Mule 4010 Trans4x4 Diesel Realtree APG HD PARTS LIST

Air Cleaner

ITEM NAME	PART NUMBER	QUANTITY
FILTER-ASSY-AIR (Ref # 11010)	11010-0189	1
ELEMENT-AIR FILTER (Ref # 11013)	11013-1290	1
GASKET,INTAKE MANIFOLD (Ref # 11060)	11060-1960	1
GASKET,AIR FILTER (Ref # 11061)	11061-1078	1
DUCT,RR BAR-A/C (Ref # 14073)	14073-0235	1
DUCT,A/C-BLOW DUCT (Ref # 14073A)	14073-0240	1
DUCT,ADAPTER (Ref # 14073B)	14073-7505	2
DUCT,BLOW DUCT-E/G (Ref # 14073C)	14073-7508	1
DUCT,BLOW (Ref # 14073D)	14073-7510	1
TRIM-SEAL (Ref # 39145)	39145-1133	1
GAUGE (Ref # 52005)	52005-0017	1
MANIFOLD-INTAKE (Ref # 59076)	59076-1112	1
FITTING,AIR FILTER (Ref # 92005)	92005-1386	1
SCREW,6X16 (Ref # 92009)	92009-1621	1
BOLT,6X20 (Ref # 92151)	92151-1667	1
BOLT,6X60 (Ref # 92151A)	92151-1695	3
CLAMP (Ref # 92170)	92170-1674	5
CLAMP (Ref # 92170A)	92170-1764	3
NUT,6MM (Ref # 92210)	92210-1210	2
BOLT-FLANGED,8X14 (Ref # 130)	130BB0814	2