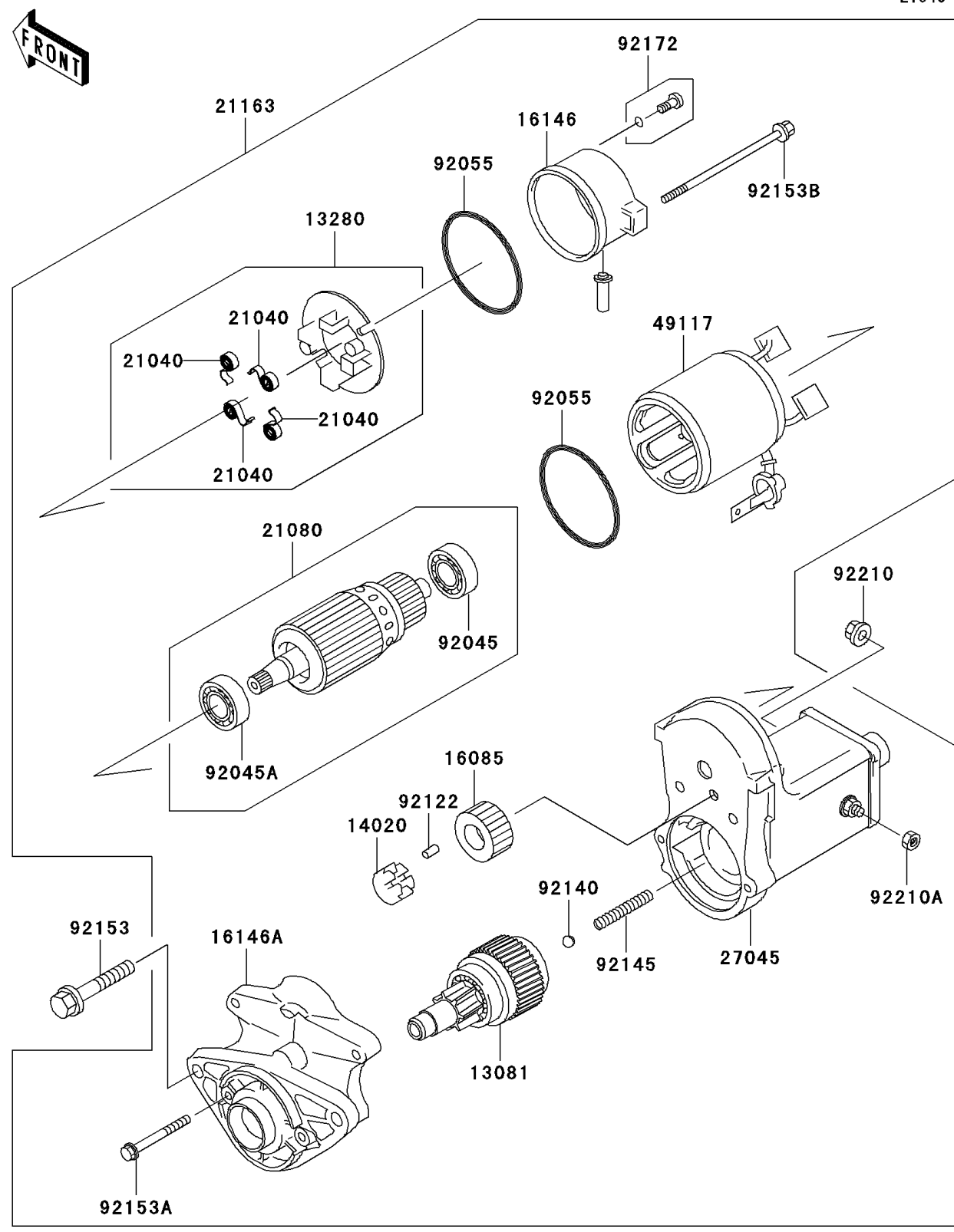


2010 Mule 4010 Trans4x4 Diesel Realtree APG HD PARTS DIAGRA

Starter Motor

E1840



2010 Mule 4010 Trans4x4 Diesel Realtree APG HD PARTS LIST

Starter Motor

ITEM NAME	PART NUMBER	QUANTITY
CLUTCH-ASSY (Ref # 13081)	13081-0080	1
HOLDER,STARTER BRUSH (Ref # 13280)	13280-0179	1
RETAINER (Ref # 14020)	14020-0005	1
GEAR,STARTER IDLE (Ref # 16085)	16085-0089	1
COVER-ASSY,COMMUTATOR END (Ref # 16146)	16146-0037	1
COVER-ASSY,STARTER DRIVE (Ref # 16146A)	16146-0038	1
SPRING-BRUSH (Ref # 21040)	21040-0002	4
ARMATURE,SATRTER (Ref # 21080)	21080-0001	1
STARTER-ELECTRIC (Ref # 21163)	21163-0030	1
SWITCH-ASSY,MAGNETIC (Ref # 27045)	27045-0008	1
YOKE,STARTER (Ref # 49117)	49117-0016	1
BEARING-BALL,ARMATURE,FR (Ref # 92045)	92045-0054	1
BEARING-BALL,ARMATURE,RR (Ref # 92045A)	92045-0055	1
RING-O (Ref # 92055)	92055-0108	2
ROLLER,IDLE GEAR (Ref # 92122)	92122-1210	5
BALL (Ref # 92140)	92140-1065	1
SPRING,MAGNET,SWITCH RETURN (Ref # 92145)	92145-0391	1
BOLT (Ref # 92153)	92153-0487	2
BOLT,5X35.2 (Ref # 92153A)	92153-1497	2
BOLT,5X115 (Ref # 92153B)	92153-1498	2
SCREW,4X11.8 (Ref # 92172)	92172-0252	2
NUT,8MM (Ref # 92210)	92210-1219	1
NUT (Ref # 92210A)	92210-1231	1