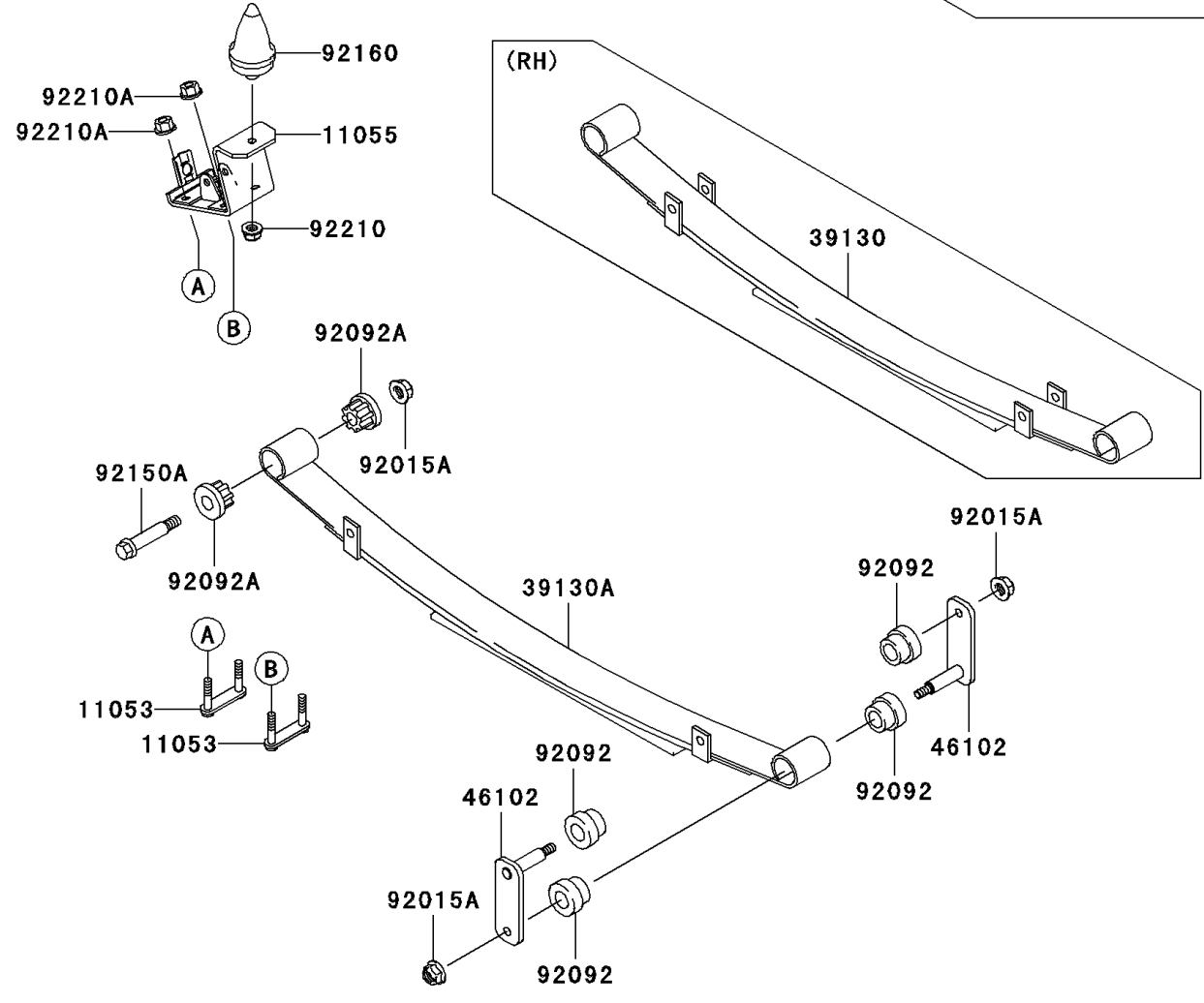
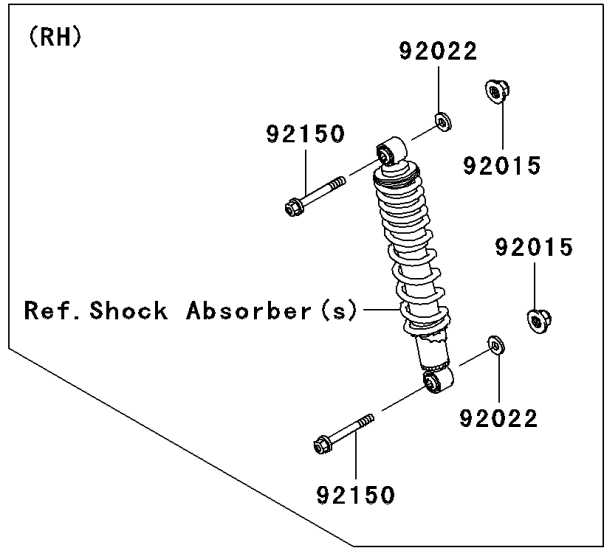
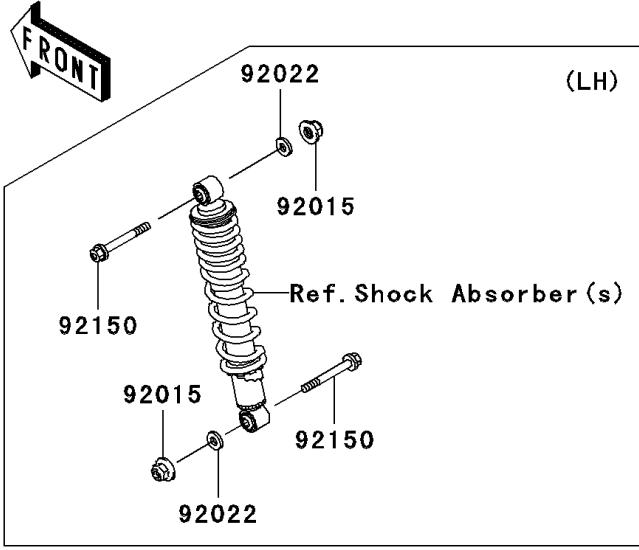


2010 Mule 4010 Trans4x4 Diesel Realtree APG HD PARTS DIAGRA

Rear Suspension

F2153



2010 Mule 4010 Trans4x4 Diesel Realtree APG HD PARTS LIST

Rear Suspension

ITEM NAME	PART NUMBER	QUANTITY
-----------	-------------	----------