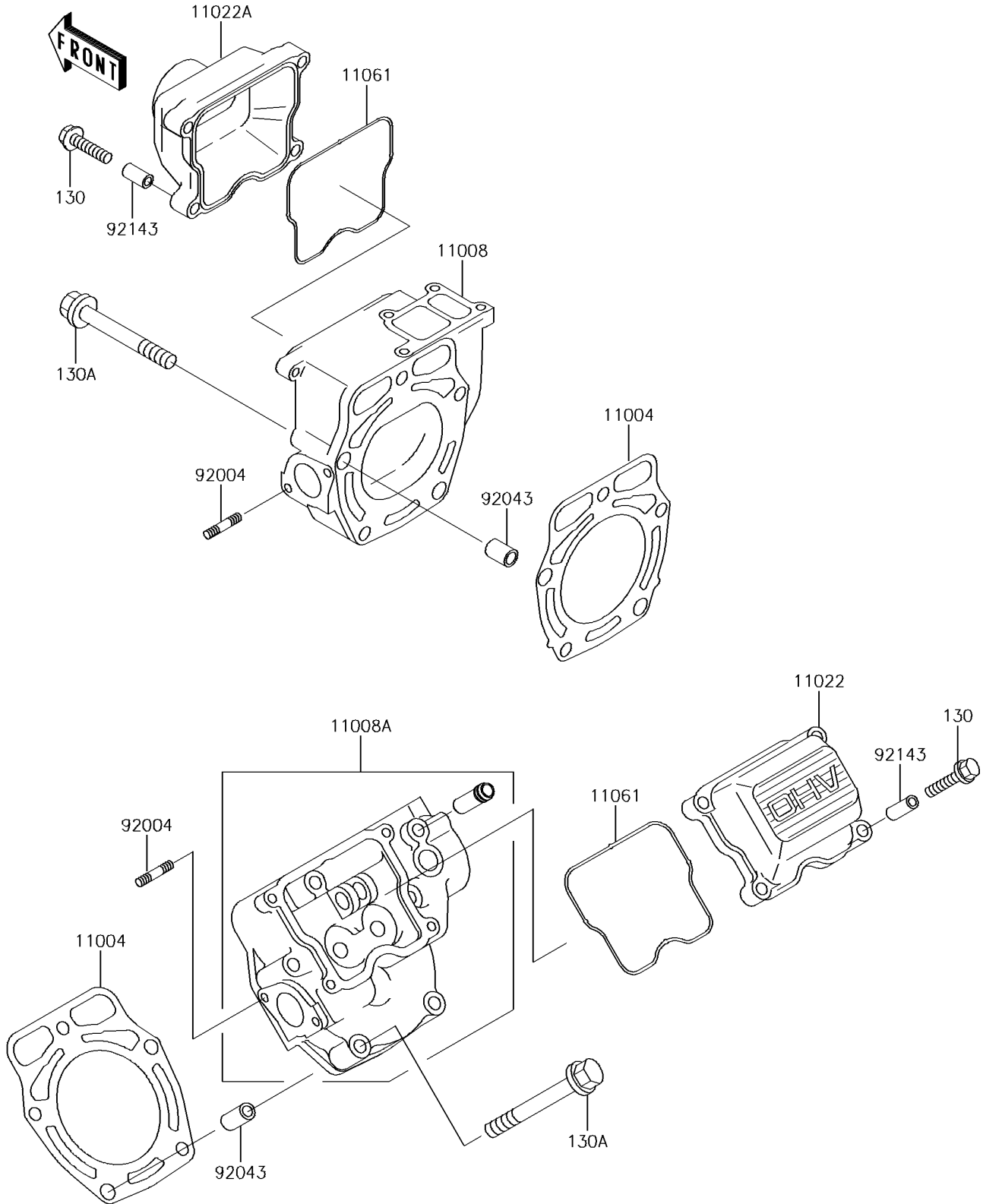


# 2018 MULE™ 4000 PARTS DIAGRAM

Cylinder Head

E1111



## 2018 MULE™ 4000 PARTS LIST

### Cylinder Head

| ITEM NAME                            | PART NUMBER | QUANTITY |
|--------------------------------------|-------------|----------|
| GASKET-HEAD (Ref # 11004)            | 11004-2107  | 2        |
| HEAD-COMP-CYLINDER,#1 (Ref # 11008)  | 11008-0820  | 1        |
| HEAD-COMP-CYLINDER,#2 (Ref # 11008A) | 11008-6046  | 1        |
| CASE-ROCKER (Ref # 11022)            | 11022-2056  | 1        |
| CASE-ROCKER (Ref # 11022A)           | 11022-2068  | 1        |
| GASKET,ROCKER CASE (Ref # 11061)     | 11061-2182  | 2        |
| STUD,6X20 (Ref # 92004)              | 92004-2142  | 4        |
| PIN,DOWEL,10X14 (Ref # 92043)        | 92043-1037  | 4        |
| COLLAR (Ref # 92143)                 | 92143-2010  | 8        |
| BOLT-FLANGED,6X25 (Ref # 130)        | 130BA0625   | 8        |
| BOLT-FLANGED,8X65 (Ref # 130A)       | 130BA0865   | 10       |