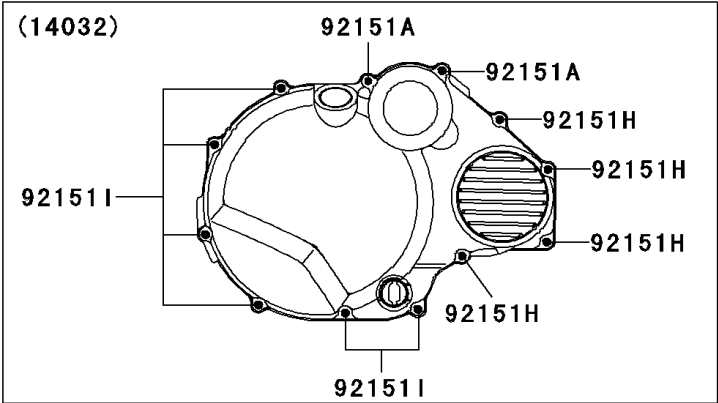
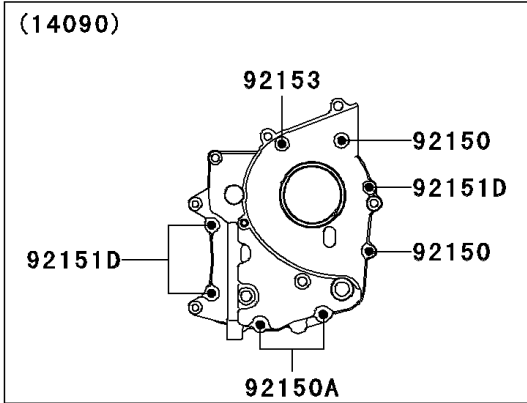
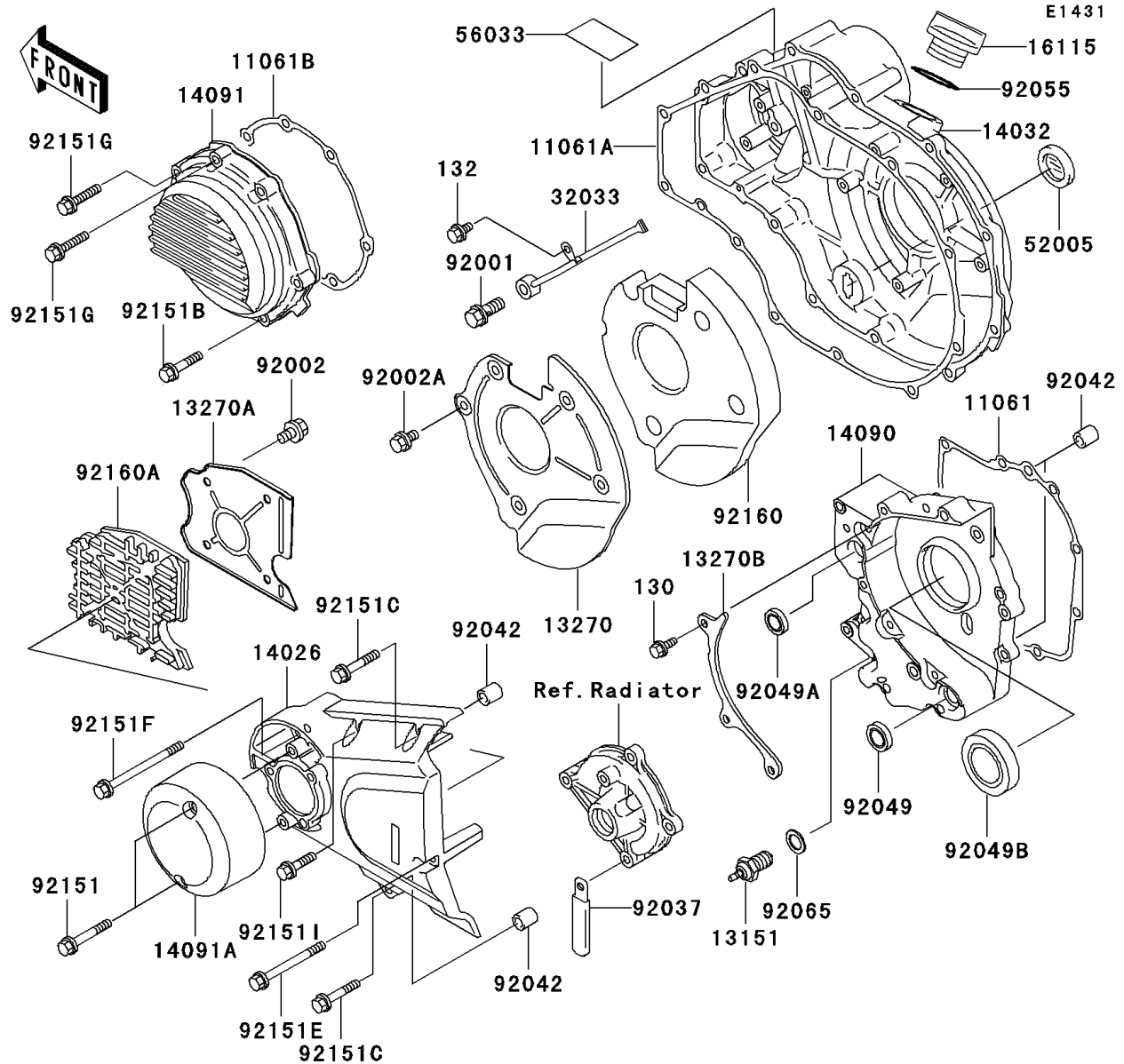


2005 ZRX1200R PARTS DIAGRAM

Engine Cover(s)



2005 ZRX1200R PARTS LIST

Engine Cover(s)

ITEM NAME	PART NUMBER	QUANTITY
GASKET,TRANSMISSION COVER (Ref # 11061)	11061-1093	1
GASKET,CLUTCH COVER (Ref # 11061A)	11061-1154	1
GASKET,PULSING COVER (Ref # 11061B)	11061-1155	1
SWITCH-COMP,NEUTRAL (Ref # 13151)	13151-1080	1
PLATE (Ref # 13270)	13270-1765	1
PLATE (Ref # 13270A)	13270-1771	1
PLATE,TRANSMISSION (Ref # 13270B)	13270-1911	1
COVER-CHAIN (Ref # 14026)	14026-1280	1
COVER-CLUTCH (Ref # 14032)	14032-1519	1
COVER,TRANSMISSION (Ref # 14090)	14090-1877	1
COVER,PULSING (Ref # 14091)	14091-1331	1
COVER,RELEASE (Ref # 14091A)	14091-1332	1
CAP-OIL FILLER (Ref # 16115)	16115-1009	1
PIPE,CLUTCH COVER (Ref # 32033)	32033-1204	1
GAUGE,OIL LEVEL (Ref # 52005)	52005-1009	1
LABEL-MANUAL,OIL CAPACITY (Ref # 56033)	56033-1073	1
BOLT,BANJO,8X20 (Ref # 92001)	92001-1855	1
BOLT,6X10 (Ref # 92002)	92002-1449	4
BOLT,6X10 (Ref # 92002A)	92002-1541	5
CLAMP,L=60 (Ref # 92037)	92037-1069	1
PIN,DOWEL,6.3X8X14 (Ref # 92042)	92042-007	4
SEAL-OIL (Ref # 92049)	92049-1564	1
SEAL-OIL (Ref # 92049A)	92049-1566	1
SEAL-OIL (Ref # 92049B)	92049-1567	1
RING-O,31.7X2.4 (Ref # 92055)	92055-049	1
GASKET,10.5X16X1 (Ref # 92065)	92065-058	1
BOLT,6X20 (Ref # 92150)	92150-1010	2
BOLT,6X50 (Ref # 92150A)	92150-1968	2
BOLT,6X40 (Ref # 92151)	92151-1131	2

2005 ZRX1200R PARTS LIST

Engine Cover(s)

ITEM NAME	PART NUMBER	QUANTITY
BOLT,6X55 (Ref # 92151A)	92151-1132	2
BOLT,6X30 (Ref # 92151B)	92151-1134	5
BOLT,6X35 (Ref # 92151C)	92151-1135	2
BOLT,6X25 (Ref # 92151D)	92151-1190	3
BOLT,6X65 (Ref # 92151E)	92151-1199	1
BOLT,6X80 (Ref # 92151F)	92151-1200	1
BOLT,6X30 (Ref # 92151G)	92151-1201	2
BOLT,6X40 (Ref # 92151H)	92151-1202	4
BOLT,6X25 (Ref # 92151I)	92151-1930	7
BOLT,M6X20 (Ref # 92153)	92153-1114	1
DAMPER (Ref # 92160)	92160-1812	1
BOLT-FLANGED (Ref # 130)	130S0614	3
BOLT-FLANGED-SMALL (Ref # 132)	132H0510	1
DAMPER (Ref # 92160A)	92160-1819	1