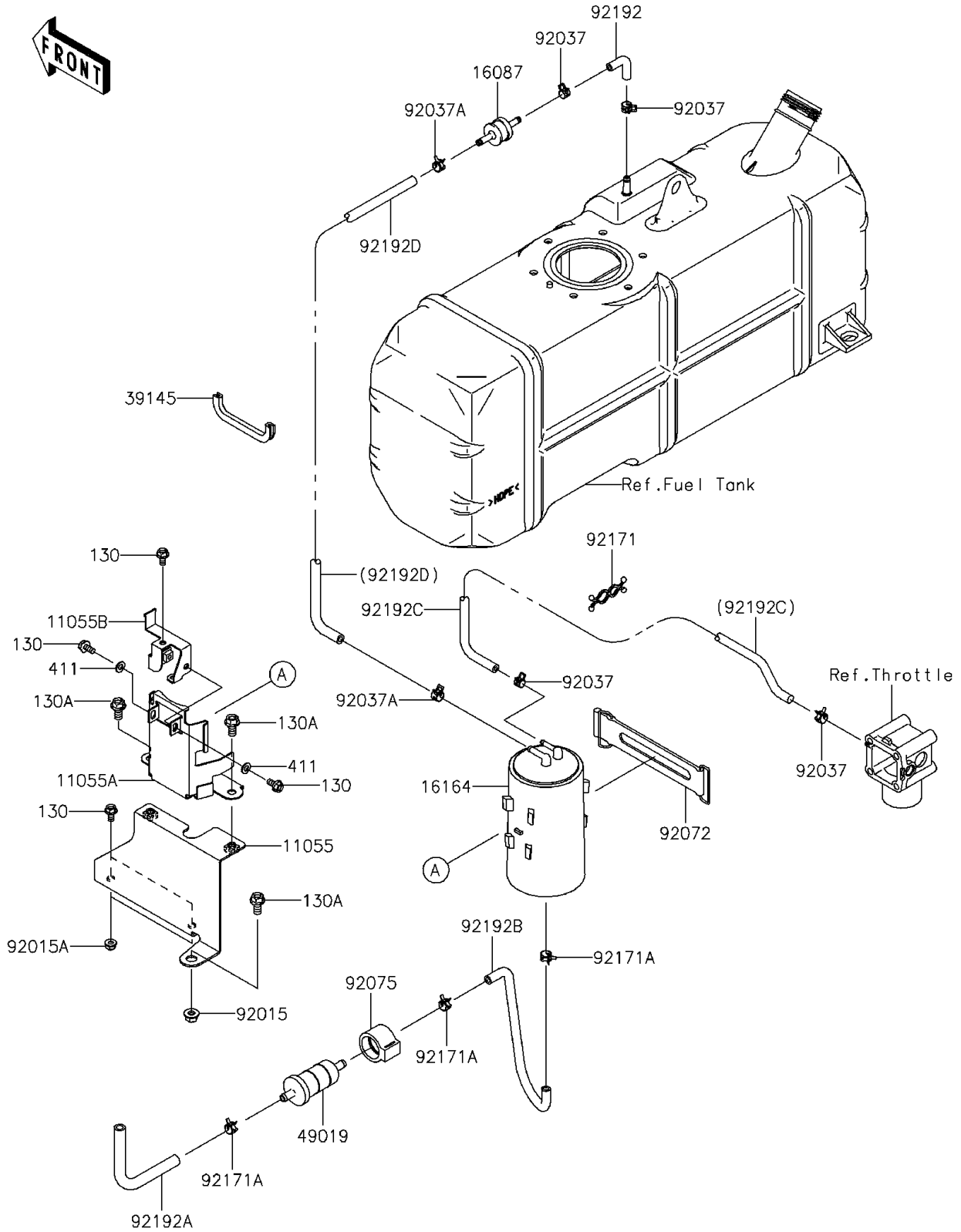


2015 Mule 4010 Trans4x4 PARTS DIAGRAM

Fuel Evaporative System

E1650



2015 Mule 4010 Trans4x4 PARTS LIST

Fuel Evaporative System

ITEM NAME	PART NUMBER	QUANTITY
BRACKET,LWR (Ref # 11055)	11055-0262	1
BRACKET,UPP (Ref # 11055A)	11055-0263	1
BRACKET,UPP (Ref # 11055B)	11055-1126	1
VALVE-CHECK (Ref # 16087)	16087-0703	1
CANISTER (Ref # 16164)	16164-0007	1
TRIM-SEAL,L=110 (Ref # 39145)	39145-0034	1
FILTER-FUEL (Ref # 49019)	49019-1055	1
NUT,LOCK,FLANGED,8MM (Ref # 92015)	92015-1397	1
NUT,LOCK,FLANGED,6MM (Ref # 92015A)	92015-1603	2
CLAMP,TUBE (Ref # 92037)	92037-1461	4
CLAMP,TUBE (Ref # 92037A)	92037-1505	2
BAND,L=168 (Ref # 92072)	92072-1306	1
DAMPER,FUEL FILTER (Ref # 92075)	92075-1853	1
CLAMP (Ref # 92171)	92171-0476	1
CLAMP (Ref # 92171A)	92171-0515	3
TUBE,FUEL TANK-CHECK VALVE (Ref # 92192)	92192-0067	1
TUBE,FILTER-AIR (Ref # 92192A)	92192-0609	1
TUBE,CANISTER-FUEL FILTER (Ref # 92192B)	92192-0620	1
TUBE,4.5X9.5X2000 (Ref # 92192C)	92192-0908	1
TUBE (Ref # 92192D)	92192-1160	1
BOLT-FLANGED,6X12 (Ref # 130)	130BB0612	5
BOLT-FLANGED,8X16 (Ref # 130A)	130BB0816	3
WASHER-PLAIN,6.5X13X1 (Ref # 411)	411AB0600	2