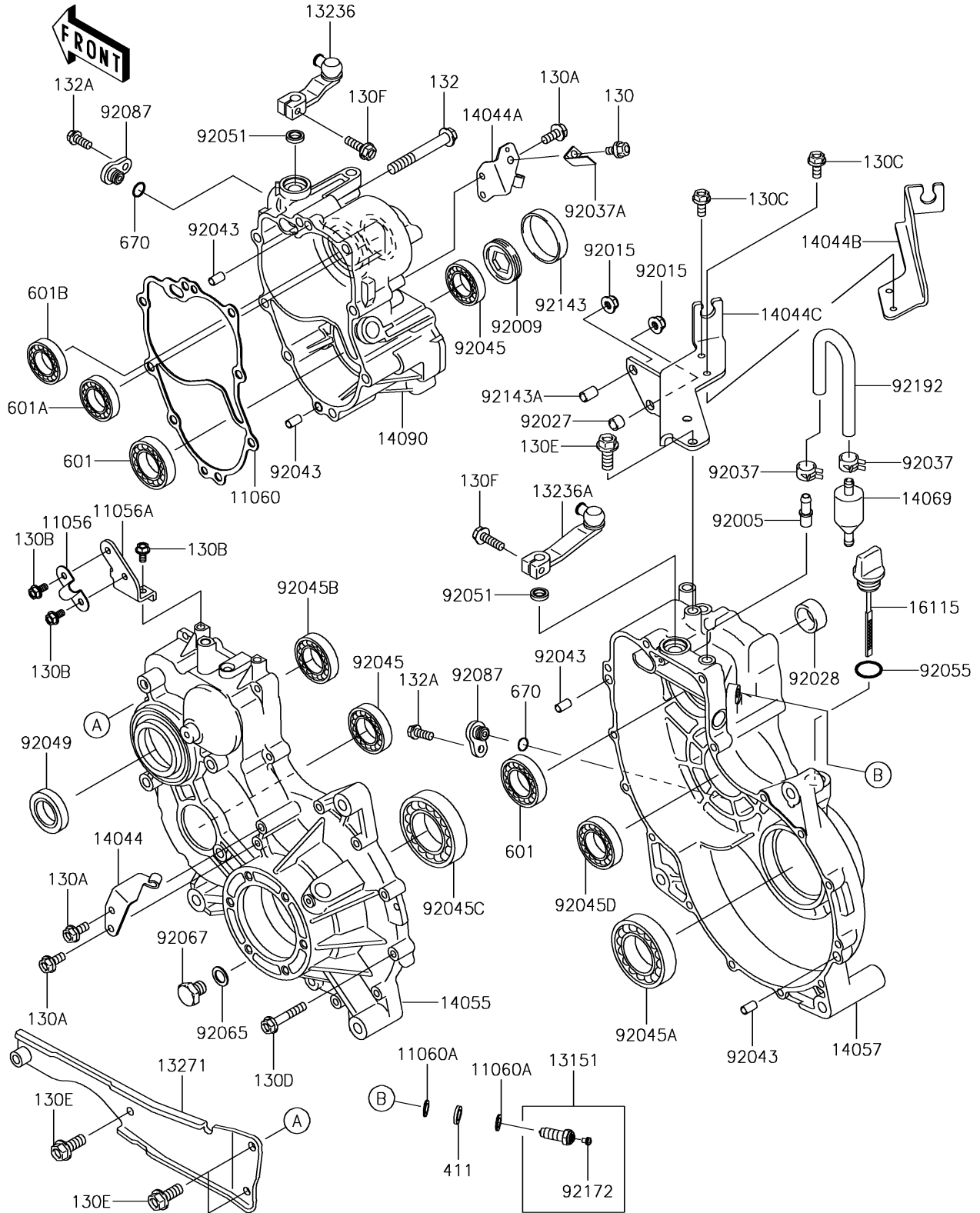


2018 MULE™ 4010 TRANS4x4® PARTS DIAGRAM

Gear Box

E1450



2018 MULE™ 4010 TRANS4x4® PARTS LIST

Gear Box

| ITEM NAME | PART NUMBER | QUANTITY |
|--------------------------------------|-------------|----------|
| BRACKET,OIL PIPE (Ref # 11056) | 11056-4139 | 1 |
| BRACKET,OIL PIPE (Ref # 11056A) | 11056-4140 | 1 |
| GASKET,GEAR CASE COVER (Ref # 11060) | 11060-1310 | 1 |
| GASKET (Ref # 11060A) | 11060-1966 | 2 |
| SWITCH-COMP (Ref # 13151) | 13151-1093 | 1 |
| LEVER-COMP (Ref # 13236) | 13236-1363 | 1 |
| LEVER-COMP (Ref # 13236A) | 13236-1372 | 1 |
| PLATE (Ref # 13271) | 13271-1604 | 1 |
| HOLDER-CABLE (Ref # 14044) | 14044-0003 | 1 |
| HOLDER-CABLE (Ref # 14044A) | 14044-0004 | 1 |
| HOLDER-CABLE,HI/LOW (Ref # 14044B) | 14044-1075 | 1 |
| HOLDER-CABLE (Ref # 14044C) | 14044-1098 | 1 |
| CASE-GEAR,LH (Ref # 14055) | 14055-0035 | 1 |
| CASE-COMP-GEAR,RH (Ref # 14057) | 14057-0011 | 1 |
| BREATHER (Ref # 14069) | 14069-1051 | 1 |
| COVER,GEAR CASE,HI/LOW (Ref # 14090) | 14090-1238 | 1 |
| CAP-OIL FILLER (Ref # 16115) | 16115-1060 | 1 |
| FITTING,BREATHER (Ref # 92005) | 92005-1127 | 1 |
| SCREW,55MM (Ref # 92009) | 92009-1290 | 1 |
| NUT,8MM (Ref # 92015) | 92015-1432 | 2 |
| COLLAR,8.8X12X9 (Ref # 92027) | 92027-1568 | 1 |
| BUSHING,23X30X13 (Ref # 92028) | 92028-132 | 1 |
| CLAMP,TUBE (Ref # 92037) | 92037-1505 | 2 |
| CLAMP (Ref # 92037A) | 92037-1680 | 1 |
| PIN,6.2X8X14 (Ref # 92043) | 92043-1263 | 4 |
| BEARING-BALL,TMB304CCM (Ref # 92045) | 92045-1142 | 2 |
| BEARING-BALL,6010CM (Ref # 92045A) | 92045-1162 | 1 |
| BEARING-BALL,62/28 (Ref # 92045B) | 92045-1207 | 1 |
| BEARING-BALL,6210CM (Ref # 92045C) | 92045-1213 | 1 |

2018 MULE™ 4010 TRANS4x4® PARTS LIST

Gear Box

| ITEM NAME | PART NUMBER | QUANTITY |
|---------------------------------------|-------------|----------|
| BEARING-BALL,TMB205JR2 (Ref # 92045D) | 92045-1285 | 1 |
| SEAL-OIL,TC28X47X7 (Ref # 92049) | 92049-1297 | 1 |
| SEAL-OIL,TB13225.5 (Ref # 92051) | 92051-005 | 2 |
| RING-O,20X3 (Ref # 92055) | 92055-2185 | 1 |
| GASKET,10.5X16X1 (Ref # 92065) | 92065-058 | 1 |
| PLUG,DRAIN,10X12 (Ref # 92067) | 92067-001 | 1 |
| BUSHING-METER GEAR (Ref # 92087) | 92087-1058 | 2 |
| COLLAR,66X70X11 (Ref # 92143) | 92143-1120 | 1 |
| COLLAR,8.5X15X9 (Ref # 92143A) | 92143-1642 | 1 |
| SCREW,4X6 (Ref # 92172) | 92172-0717 | 1 |
| TUBE (Ref # 92192) | 92192-1643 | 1 |
| BOLT-FLANGED,6X10 (Ref # 130) | 130AA0610 | 1 |
| BOLT-FLANGED,6X14 (Ref # 130A) | 130AA0614 | 4 |
| BOLT-FLANGED,6X12 (Ref # 130B) | 130BA0612 | 3 |
| BOLT-FLANGED,6X14 (Ref # 130C) | 130BA0614 | 2 |
| BOLT-FLANGED,6X35 (Ref # 130D) | 130BA0635 | 15 |
| BOLT-FLANGED,8X20 (Ref # 130E) | 130BA0820 | 5 |
| BOLT-FLANGED,6X20 (Ref # 130F) | 130CA0620 | 2 |
| BOLT-FLANGED-SMALL,8X60 (Ref # 132) | 132BA0860 | 8 |
| BOLT-FLANGED-SMALL,6X14 (Ref # 132A) | 132BB0614 | 2 |
| WASHER-PLAIN,10MM (Ref # 411) | 411AA1000 | 1 |
| BEARING-BALL,#6007C3 (Ref # 601) | 601B6007 | 2 |
| BEARING-BALL,#6303C3 (Ref # 601A) | 601B6303 | 1 |
| BEARING-BALL (Ref # 601B) | 601B6303U | 1 |
| O RING,10MM (Ref # 670) | 670D1510 | 2 |