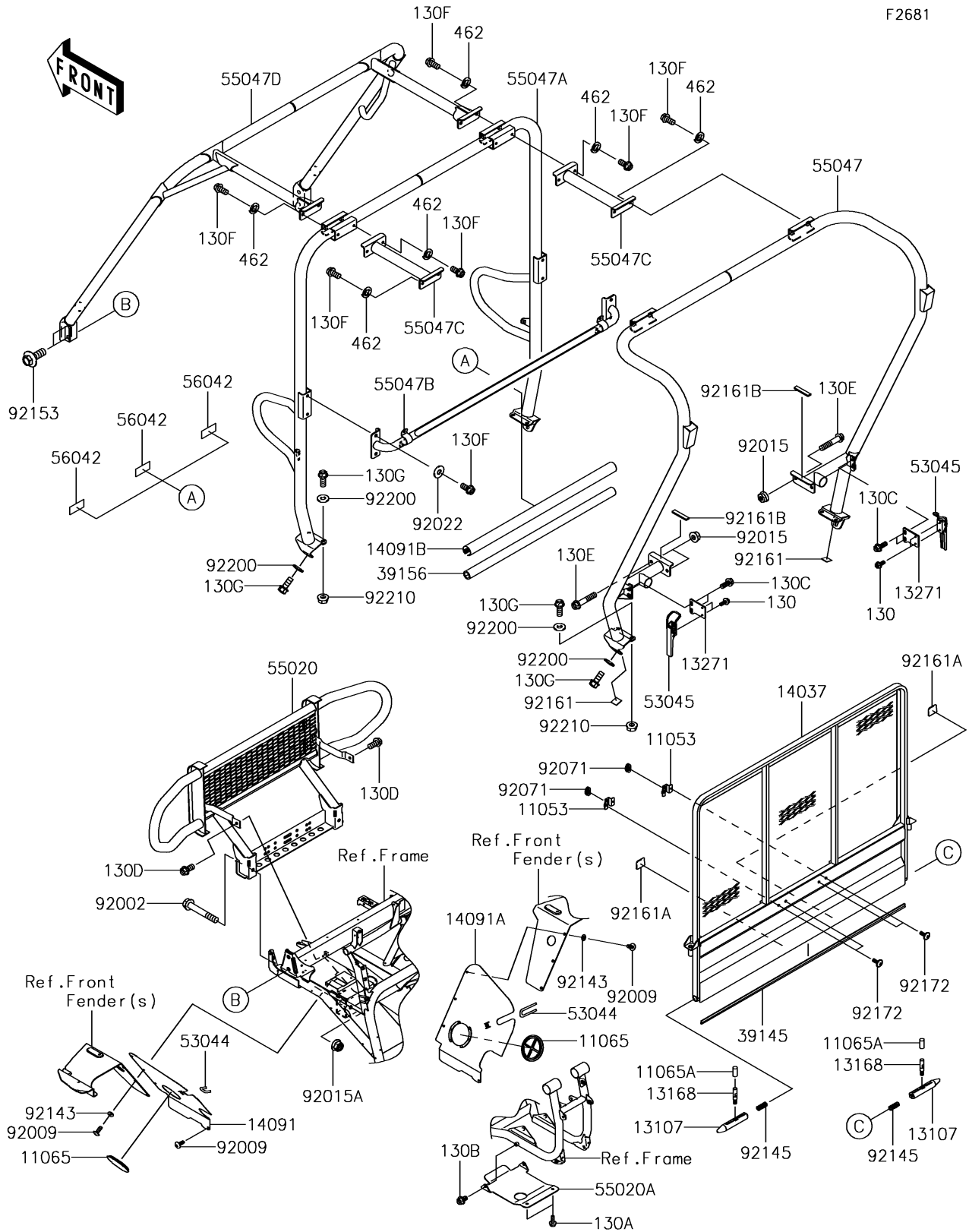


2017 MULE™ 4010 TRANS4x4® PARTS DIAGRAM

Guards/Cab Frame

F2681



2017 MULE™ 4010 TRANS4x4® PARTS LIST

Guards/Cab Frame

ITEM NAME	PART NUMBER	QUANTITY
BRACKET,SCREEN (Ref # 11053)	11053-7528	2
CAP,F.BLACK (Ref # 11065)	11065-1053-6Z	2
CAP (Ref # 11065A)	11065-7503	2
SHAFT (Ref # 13107)	13107-7501	2
LEVER (Ref # 13168)	13168-7506	2
PLATE,HOOK (Ref # 13271)	13271-7540	2
SCREEN,REAR CAB,T.BLACK (Ref # 14037)	14037-7501-388	1
COVER,FR,LH (Ref # 14091)	14091-1758	1
COVER,FR,RH (Ref # 14091A)	14091-1759	1
COVER (Ref # 14091B)	14091-7559	1
TRIM-SEAL,L=1157 (Ref # 39145)	39145-7502	1
PAD (Ref # 39156)	39156-7506	1
TRIM (Ref # 53044)	53044-1137	2
HOOK-ASSY (Ref # 53045)	53045-7501	2
GUARD,FR (Ref # 55020)	55020-0876	1
GUARD,GEAR CASE (Ref # 55020A)	55020-7506	1
BAR-COMP,RR,T.BLACK (Ref # 55047)	55047-0020-388	1
BAR-COMP,CNT,T.BLACK (Ref # 55047A)	55047-0353-388	1
BAR-COMP,FRONT SEAT,T.BLACK (Ref # 55047B)	55047-7503-388	1
BAR-COMP,TOP,T.BLACK (Ref # 55047C)	55047-7504-388	2
BAR-COMP,FR,T.BLACK (Ref # 55047D)	55047-7510-388	1
ADHESIVE (Ref # 56042)	56042-7502	3
BOLT,FLANGED,12X75 (Ref # 92002)	92002-1661	2
SCREW,TAPPING,6X16 (Ref # 92009)	92009-1166	8
NUT,FLANGED,10MM (Ref # 92015)	92015-1428	4
NUT,LOCK,FLANGED,12MM (Ref # 92015A)	92015-1433	2
WASHER,10.5X26X2.3,BLACK (Ref # 92022)	92022-1396	4
GROMMET (Ref # 92071)	92071-7505	2
COLLAR (Ref # 92143)	92143-1087	6

2017 MULE™ 4010 TRANS4x4® PARTS LIST

Guards/Cab Frame

ITEM NAME	PART NUMBER	QUANTITY
SPRING,TENSIONER (Ref # 92145)	92145-1215	2
BOLT,FLANGED,14X36 (Ref # 92153)	92153-1282	4
DAMPER (Ref # 92161)	92161-0020	2
DAMPER (Ref # 92161A)	92161-0061	2
DAMPER (Ref # 92161B)	92161-7514	2
SCREW,6X14 (Ref # 92172)	92172-0004	4
WASHER,10.2X23X2.5 (Ref # 92200)	92200-7506	12
NUT,LOCK,FLANGED,10MM (Ref # 92210)	92210-0276	8
BOLT-FLANGED,6X14 (Ref # 130)	130BA0614	4
BOLT-FLANGED,6X16 (Ref # 130A)	130BA0616	2
BOLT-FLANGED,8X12 (Ref # 130B)	130BA0812	2
BOLT-FLANGED,8X20 (Ref # 130C)	130BA0820	4
BOLT-FLANGED,10X20 (Ref # 130D)	130BA1020	2
BOLT-FLANGED,10X50 (Ref # 130E)	130BA1050	4
BOLT-FLANGED,10X20 (Ref # 130F)	130BB1020	16
BOLT-FLANGED,10X25 (Ref # 130G)	130BB1025	12
WASHER-SPRING,10MM (Ref # 462)	462DB1000	12