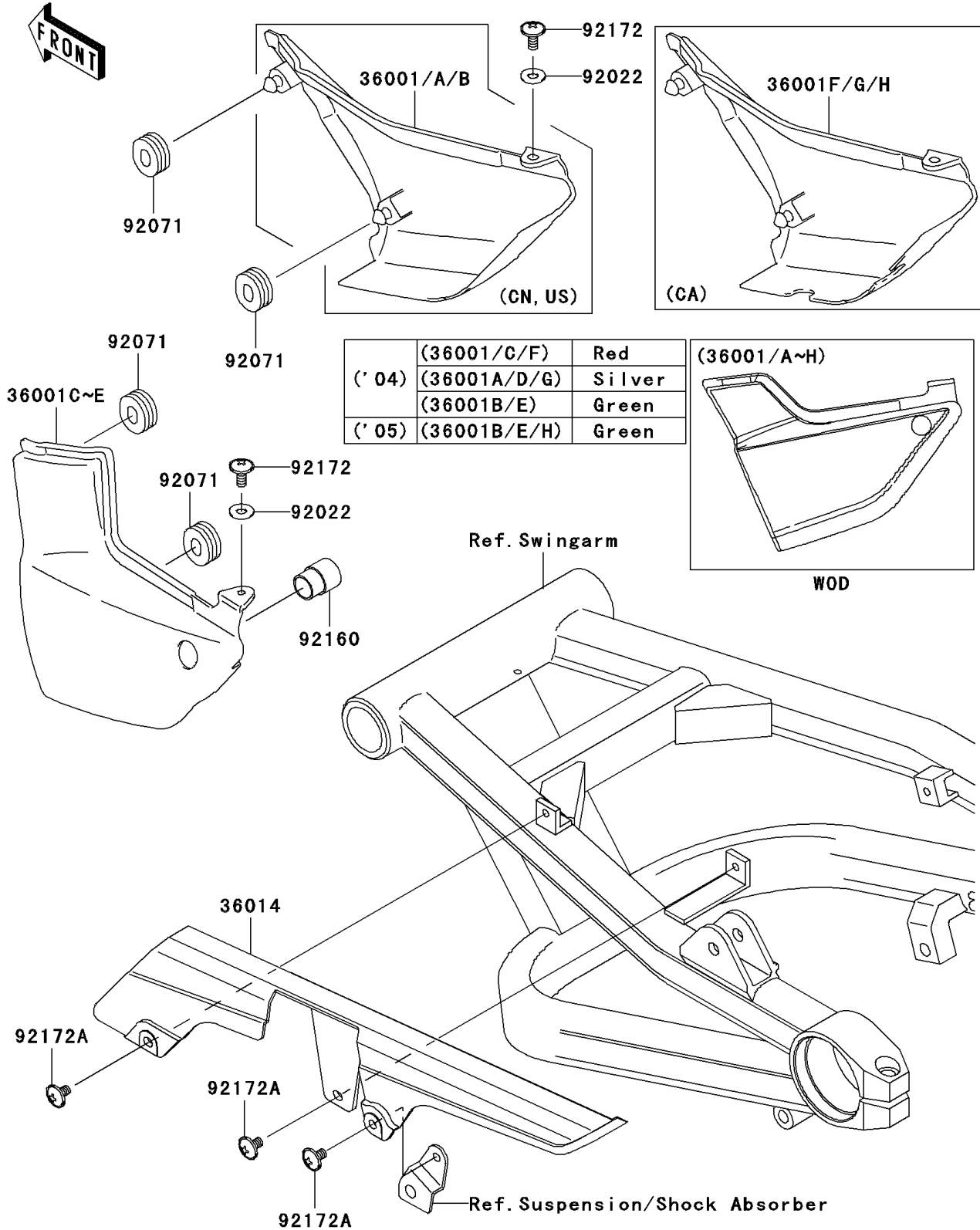


2005 ZRX1200R PARTS DIAGRAM

Side Covers/Chain Cover

F2610



2005 ZRX1200R PARTS LIST

Side Covers/Chain Cover

ITEM NAME	PART NUMBER	QUANTITY
COVER-SIDE,LH,C.L.GREEN (Ref # 36001E)	36001-1597-8N	1
CASE-CHAIN (Ref # 36014)	36014-1244	1
WASHER,6.5X16X1 (Ref # 92022)	92022-1143	2
GROMMET (Ref # 92071)	92071-056	4
DAMPER (Ref # 92160)	92160-1871	1
SCREW,6X14 (Ref # 92172)	92172-0004	2
SCREW,6X10 (Ref # 92172A)	92172-0005	3
COVER-SIDE,RH,C.L.GREEN (Ref # 36001B)	36001-1575-8N	1
COVER-SIDE,RH,C.L.GREEN (Ref # 36001H)	36001-1648-8N	1