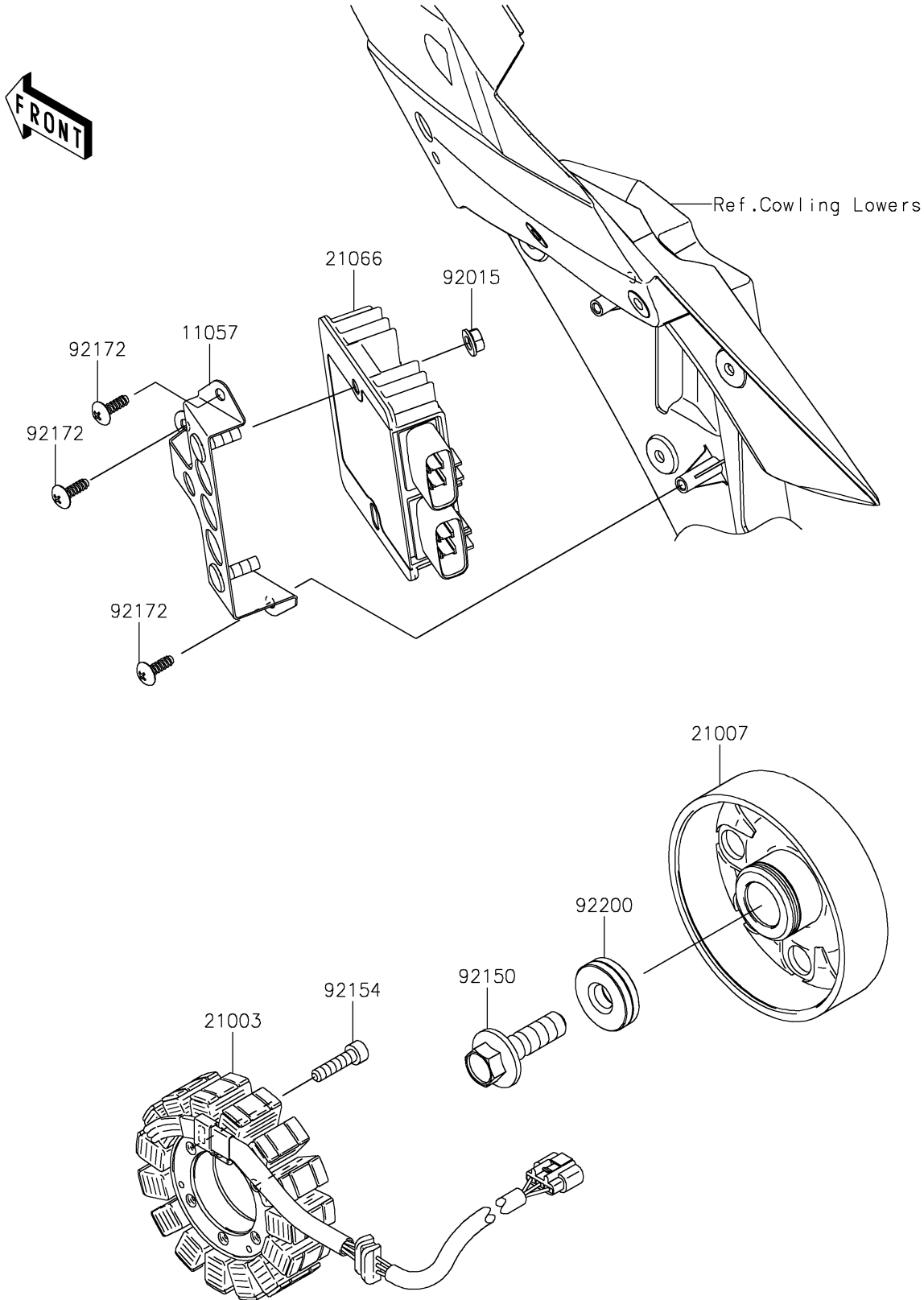


# 2022 NINJA H2®R PARTS DIAGRAM

Generator

E1810



## 2022 NINJA H2® R PARTS LIST

### Generator

| ITEM NAME                        | PART NUMBER | QUANTITY |
|----------------------------------|-------------|----------|
| BRACKET,REGULATOR (Ref # 11057)  | 11057-0780  | 1        |
| STATOR (Ref # 21003)             | 21003-0169  | 1        |
| ROTOR (Ref # 21007)              | 21007-0611  | 1        |
| REGULATOR-VOLTAGE (Ref # 21066)  | 21066-0745  | 1        |
| NUT,FLANGED,6MM (Ref # 92015)    | 92015-1367  | 2        |
| BOLT,12X40 (Ref # 92150)         | 92150-1717  | 1        |
| BOLT,SOCKET,6X25 (Ref # 92154)   | 92154-0477  | 4        |
| SCREW,TAPPING,5X16 (Ref # 92172) | 92172-0175  | 3        |
| WASHER,12X34X9 (Ref # 92200)     | 92200-0369  | 1        |