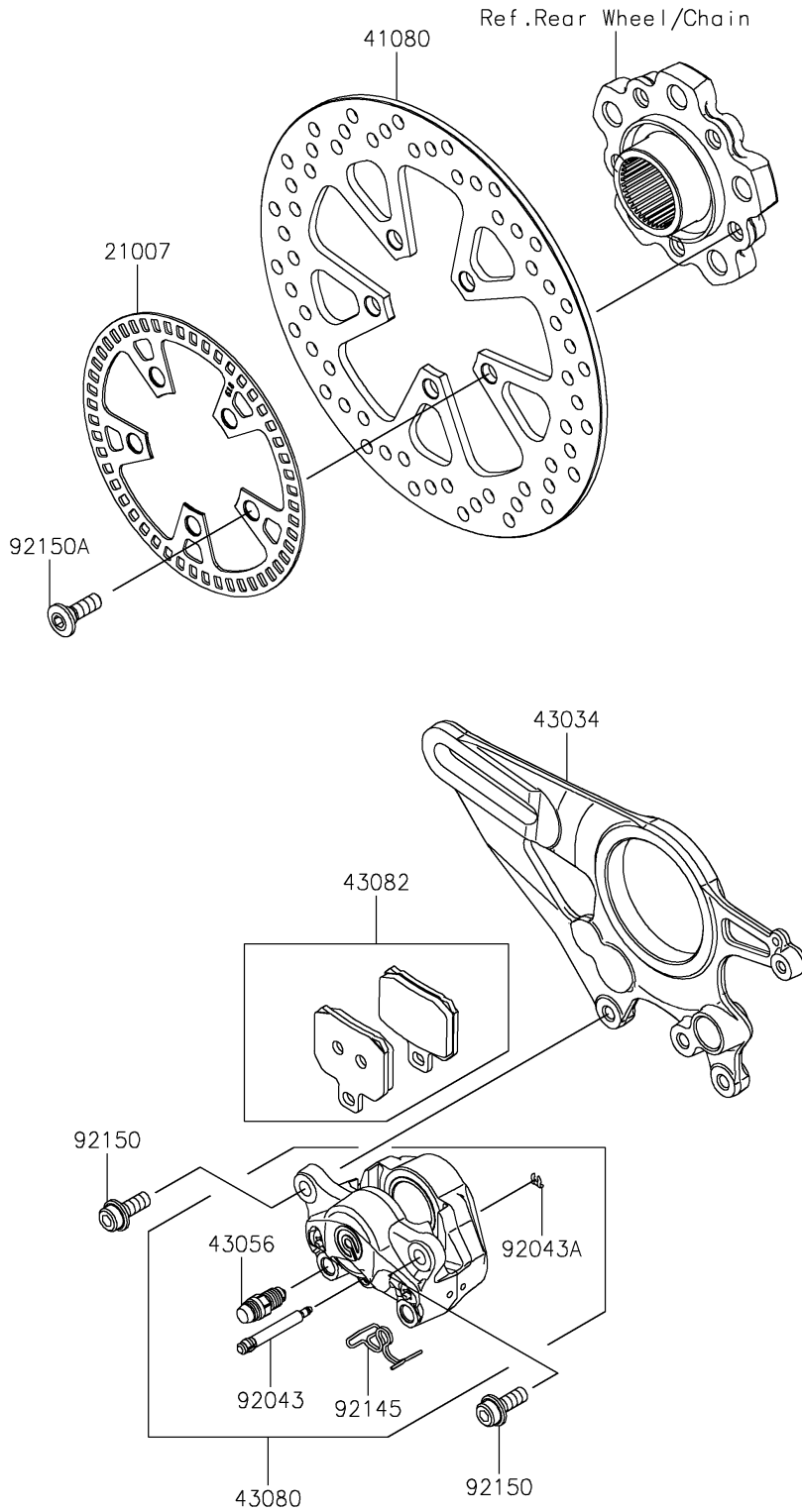


2022 NINJA H2®R PARTS DIAGRAM

Rear Brake

F2294



2022 NINJA H2®R PARTS LIST

Rear Brake

| ITEM NAME | PART NUMBER | QUANTITY |
|--|----------------|----------|
| ROTOR,SENSOR,RR (Ref # 21007) | 21007-0632 | 1 |
| DISC,RR,250MM (Ref # 41080) | 41080-0636 | 1 |
| HOLDER-BRAKE,RR (Ref # 43034) | 43034-0108 | 1 |
| BREATHER-BRAKE (Ref # 43056) | 43056-0020 | 1 |
| CALIPER-SUB-ASSY,RR,GRAY (Ref # 43080) | 43080-0176-51J | 1 |
| PAD-ASSY-BRAKE (Ref # 43082) | 43082-0158 | 1 |
| PIN,PAD (Ref # 92043) | 92043-0863 | 1 |
| PIN,CLIP (Ref # 92043A) | 92043-0864 | 1 |
| SPRING (Ref # 92145) | 92145-1685 | 1 |
| BOLT,SOCKET,8X20 (Ref # 92150) | 92150-1155 | 2 |
| BOLT,8X25 (Ref # 92150A) | 92150-1858 | 5 |