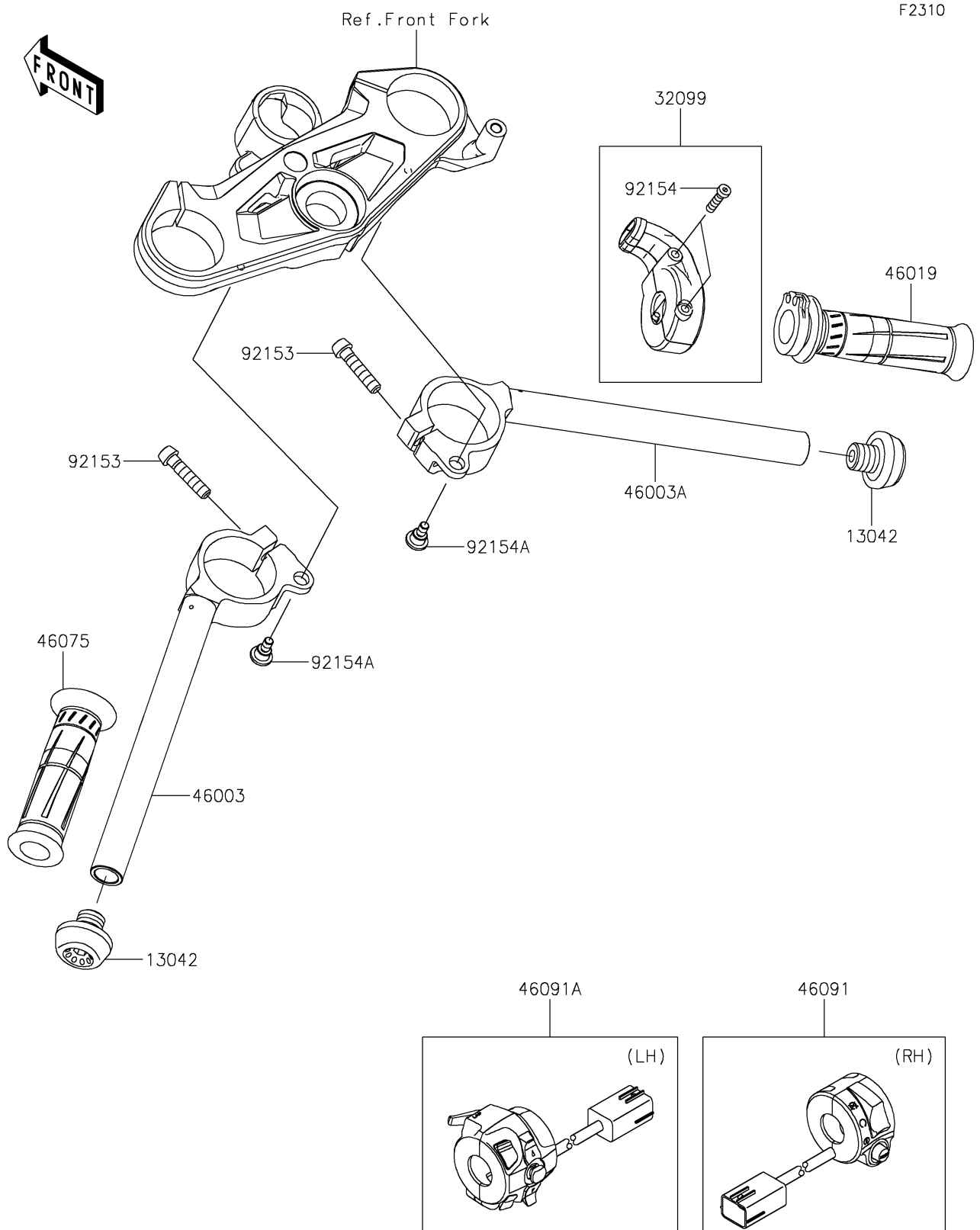


2022 NINJA H2®R PARTS DIAGRAM

Handlebar



2022 NINJA H2® R PARTS LIST

Handlebar

| ITEM NAME | PART NUMBER | QUANTITY |
|----------------------------------------|----------------|----------|
| WEIGHT,HANDLE,A.BLACK (Ref # 13042) | 13042-0049-499 | 2 |
| CASE,THROTTLE (Ref # 32099) | 32099-0766 | 1 |
| HANDLE,LH (Ref # 46003) | 46003-0669 | 1 |
| HANDLE,RH (Ref # 46003A) | 46003-0670 | 1 |
| GRIP-ASSY,THROTTLE (Ref # 46019) | 46019-0020 | 1 |
| GRIP,LH (Ref # 46075) | 46075-0068 | 1 |
| HOUSING-ASSY-CONTROL,RH (Ref # 46091) | 46091-0301 | 1 |
| HOUSING-ASSY-CONTROL,LH (Ref # 46091A) | 46091-0351 | 1 |
| BOLT,SOCKET,8X35 (Ref # 92153) | 92153-0907 | 2 |
| BOLT,SOCKET,5X35 (Ref # 92154) | 92154-1530 | 2 |
| BOLT,SOCKET,6X16.5 (Ref # 92154A) | 92154-1698 | 2 |