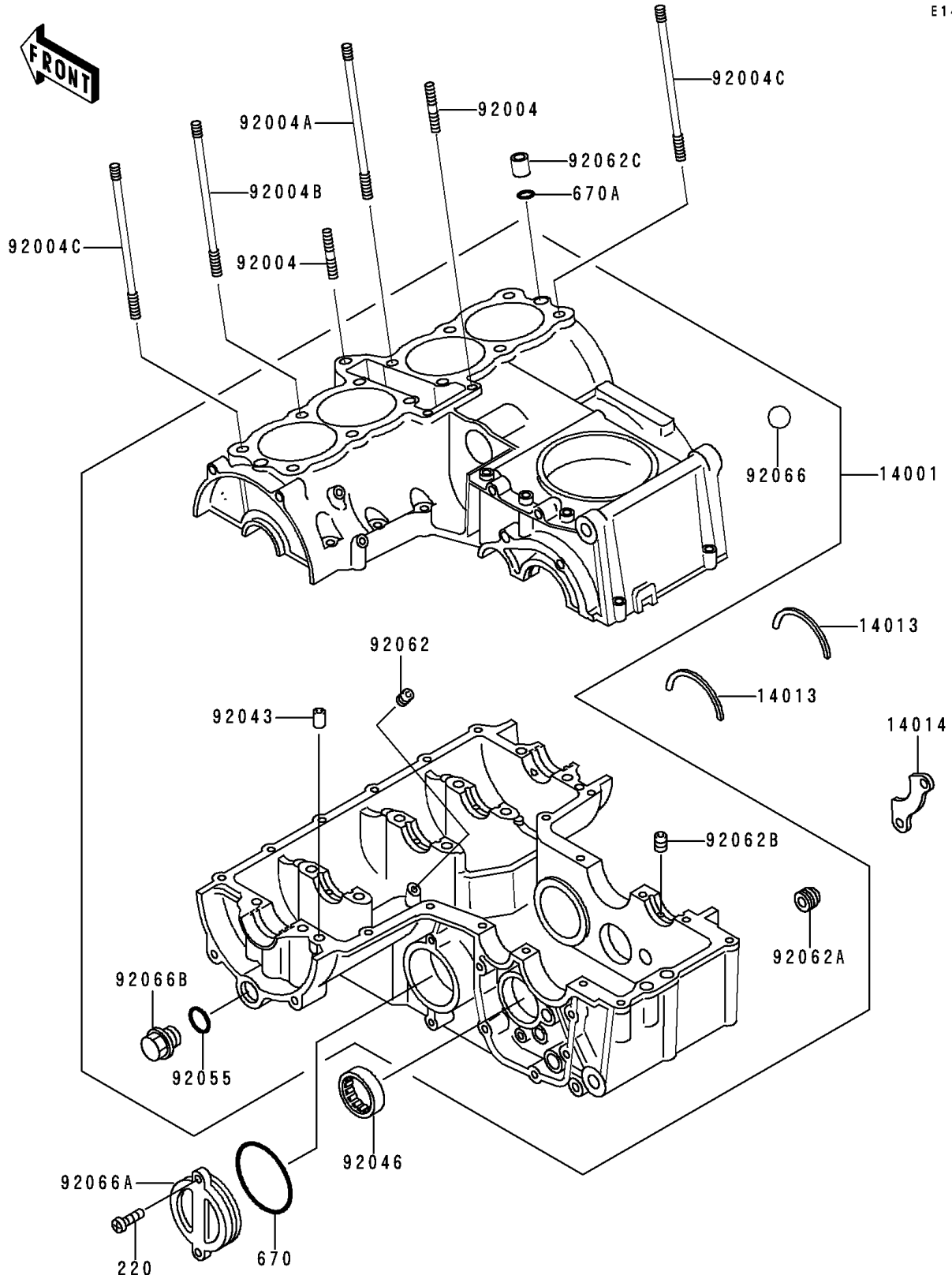


# 1993 Zephyr PARTS DIAGRAM

Crankcase

E1411



# 1993 Zephyr PARTS LIST

## Crankcase

| ITEM NAME                                   | PART NUMBER | QUANTITY |
|---|-------------|----------|
| SCREW-PAN-CROS,6X20,WHITE (Ref # 220)       | 220B0620    | 2        |
| O RING,46MM (Ref # 670)                     | 670B3046    | 1        |
| O RING (Ref # 670A)                         | 670D2010    | 2        |
| SET-CRANKCASE (Ref # 14001)                 | 14001-5270  | 1        |
| RING-POSITION (Ref # 14013)                 | 14013-004   | 2        |
| PLATE-POSITION (Ref # 14014)                | 14014-1006  | 1        |
| STUD,6X22 (Ref # 92004)                     | 92004-059   | 3        |
| STUD,8X146 (Ref # 92004A)                   | 92004-1193  | 4        |
| STUD,8X108.5 (Ref # 92004B)                 | 92004-1194  | 4        |
| STUD,8X128.5 (Ref # 92004C)                 | 92004-1195  | 4        |
| PIN,8.2X10X14 (Ref # 92043)                 | 92043-1264  | 2        |
| BEARING-NEEDLE,37BTM4312 (Ref # 92046)      | 92046-051   | 1        |
| RING-O (Ref # 92055)                        | 92055-1146  | 2        |
| NOZZLE,BLACK (Ref # 92062)                  | 92062-011   | 1        |
| NOZZLE (Ref # 92062A)                       | 92062-014   | 1        |
| NOZZLE,SILVER (Ref # 92062B)                | 92062-015   | 1        |
| NOZZLE (Ref # 92062C)                       | 92062-016   | 2        |
| PLUG,RUBBER BALL,6.7 (Ref # 92066)          | 92066-057   | 1        |
| PLUG,SECONDARY SHAFT,52X19 (Ref # 92066A)   | 92066-1019  | 1        |
| PLUG,MAIN GALLERY,18X9,BLACK (Ref # 92066B) | 92066-1096  | 2        |