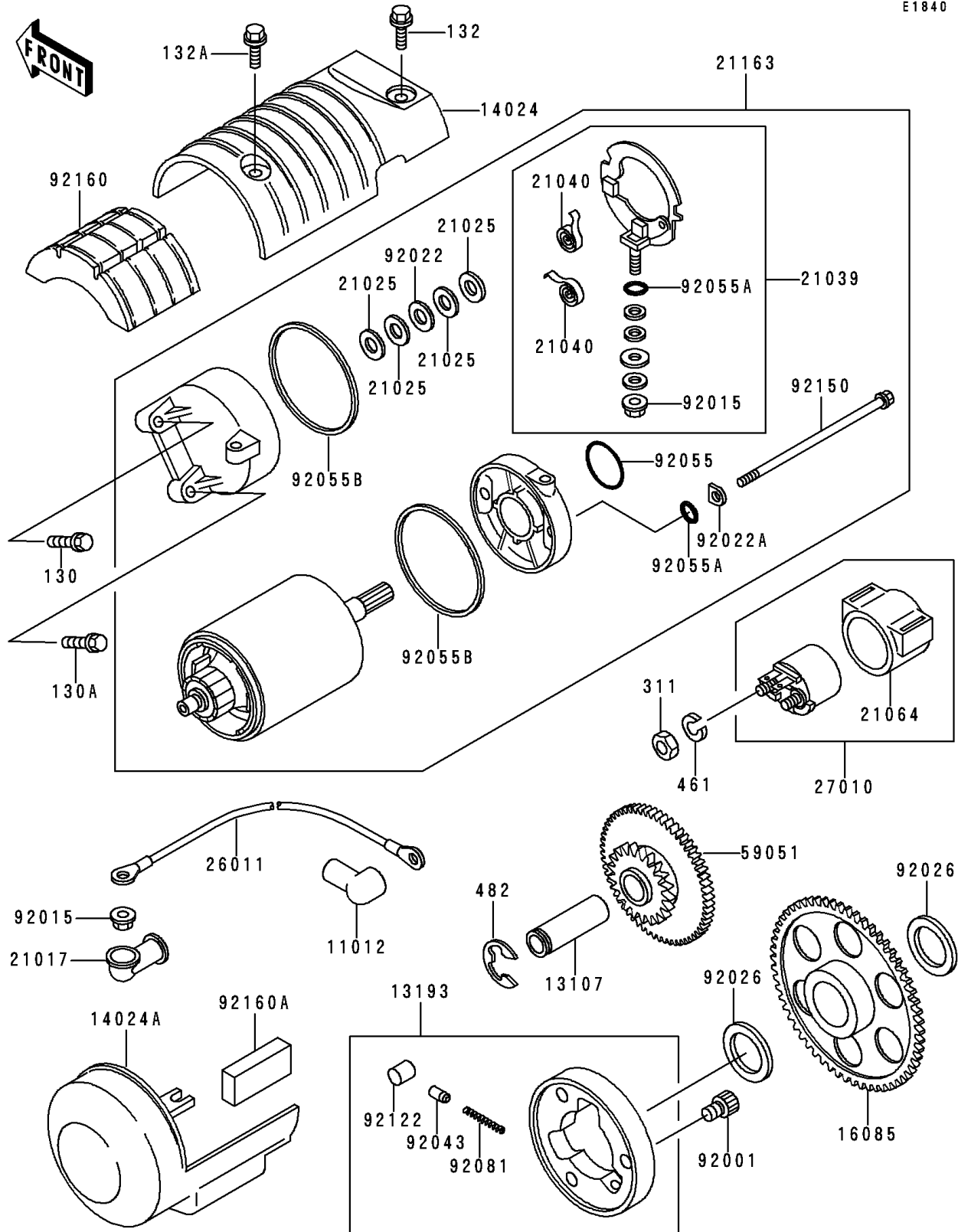


1992 Zephyr PARTS DIAGRAM

Starter Motor

E1840



1992 Zephyr PARTS LIST

Starter Motor

| ITEM NAME | PART NUMBER | QUANTITY |
|--|-------------|----------|
| BOLT-FLANGED,6X25 (Ref # 130) | 130G0625 | 1 |
| BOLT-FLANGED,6X30 (Ref # 130A) | 130G0630 | 1 |
| BOLT-FLANGED-SMALL (Ref # 132) | 132E0620 | 1 |
| BOLT-FLANGED-SMALL (Ref # 132A) | 132E0625 | 1 |
| NUT-HEX,6MM (Ref # 311) | 311B0600 | 2 |
| WASHER-SPRING,6MM (Ref # 461) | 461F0600 | 2 |
| CIRCLIP-TYPE-E,12MM (Ref # 482) | 482J0200 | 1 |
| CAP,TERMINAL (Ref # 11012) | 11012-1354 | 1 |
| SHAFT,STARTER IDLE (Ref # 13107) | 13107-1006 | 1 |
| CLUTCH-ASSY-ONEWAY (Ref # 13193) | 13193-1002 | 1 |
| COVER,STARTER,UPP (Ref # 14024) | 14024-1808 | 1 |
| COVER,STARTER,LWR (Ref # 14024A) | 14024-1809 | 1 |
| GEAR,ONEWAY CLUTCH (Ref # 16085) | 16085-1030 | 1 |
| GROMMET,STARTER TERMINAL (Ref # 21017) | 21017-017 | 1 |
| WASHER,9.1X18X0.2 (Ref # 21025) | 21025-011 | 4 |
| BRUSH,CARBON (Ref # 21039) | 21039-1062 | 1 |
| SPRING-BRUSH (Ref # 21040) | 21040-1057 | 2 |
| DAMPER,MAGNETIC SWITCH (Ref # 21064) | 21064-002 | 1 |
| STARTER-ELECTRIC (Ref # 21163) | 21163-1150 | 1 |
| WIRE-LEAD,STARTER MOTOR (Ref # 26011) | 26011-1135 | 1 |
| SWITCH,MAGNETIC (Ref # 27010) | 27010-1209 | 1 |
| GEAR-SPUR,STARTER IDLE (Ref # 59051) | 59051-1011 | 1 |
| BOLT,SOCKET,8X10 (Ref # 92001) | 92001-1424 | 3 |
| NUT,STARTER MOTOR (Ref # 92015) | 92015-1476 | 2 |
| WASHER,9.1X18X0.8 (Ref # 92022) | 92022-1132 | 1 |
| WASHER,LOCK,T=2.0 (Ref # 92022A) | 92022-1458 | 2 |
| SPACER,25X36X3.2 (Ref # 92026) | 92026-1025 | 2 |
| PIN (Ref # 92043) | 92043-132 | 3 |
| RING-O (Ref # 92055) | 92055-1276 | 1 |

1992 Zephyr PARTS LIST

Starter Motor

| ITEM NAME | PART NUMBER | QUANTITY |
|-------------------------------------|-------------|----------|
| RING-O,4.5X2.0 (Ref # 92055A) | 92055-1370 | 3 |
| RING-O,STARTER MOTOR (Ref # 92055B) | 92055-1381 | 2 |
| SPRING,COIL (Ref # 92081) | 92081-159 | 3 |
| ROLLER (Ref # 92122) | 92122-006 | 3 |
| BOLT (Ref # 92150) | 92150-1243 | 2 |
| DAMPER,STARTER COVER (Ref # 92160) | 92160-1421 | 1 |
| DAMPER (Ref # 92160A) | 92160-1439 | 1 |