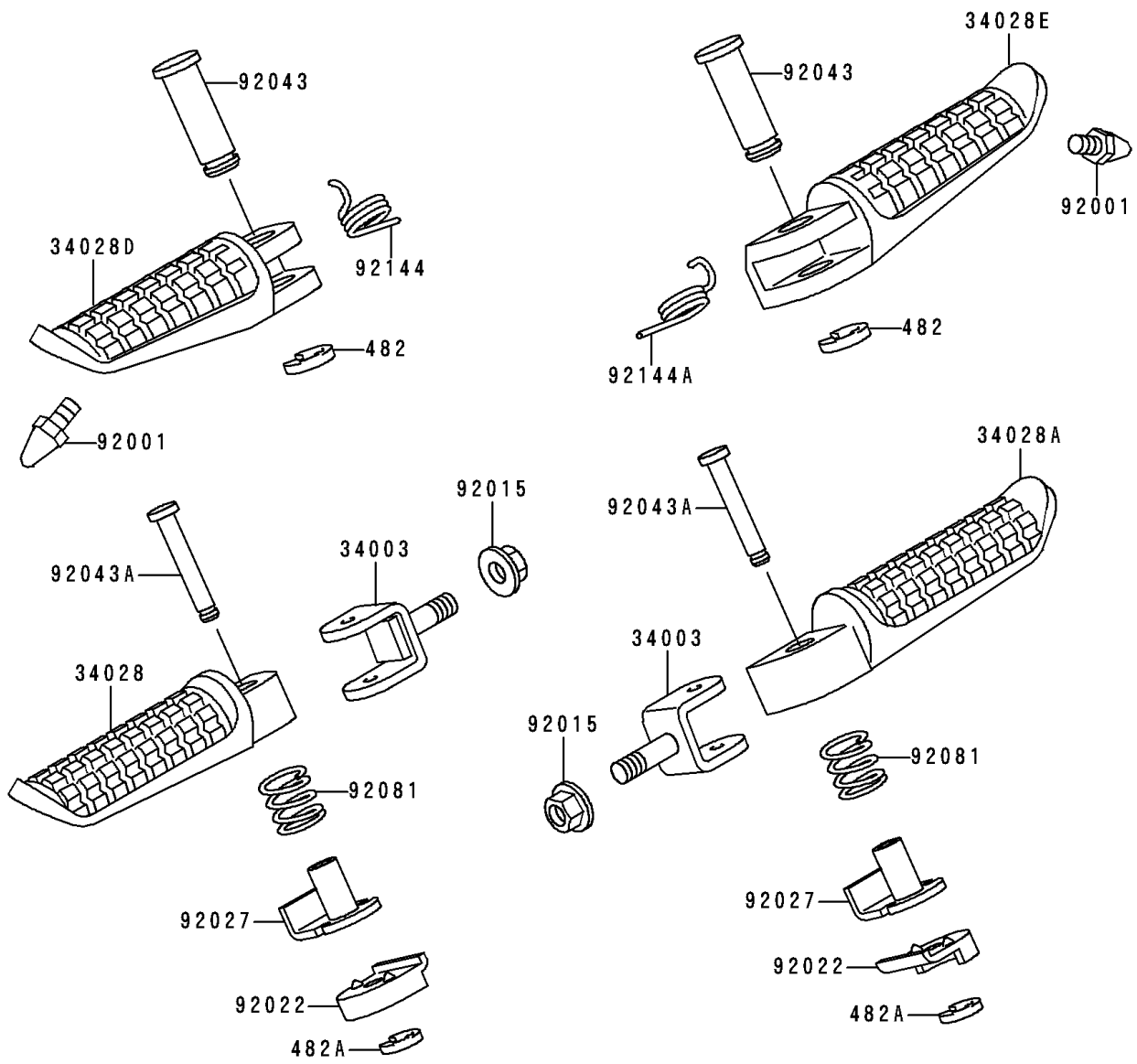
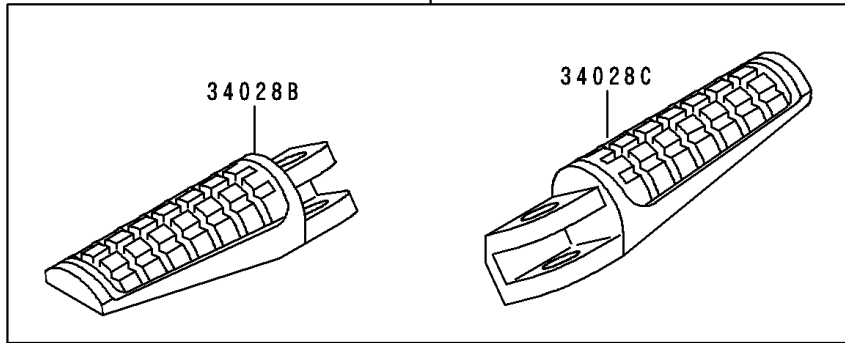


# 1993 Zephyr PARTS DIAGRAM

Step

('90)

F2160



# 1993 Zephyr PARTS LIST

## Step

ITEM NAME	PART NUMBER	QUANTITY
CIRCLIP-TYPE-E,10MM (Ref # 482)	482L0100	2
CIRCLIP-TYPE-E,5MM (Ref # 482A)	482L5000	2
HOLDER-STEP,RR (Ref # 34003)	34003-1334	2
STEP,RR,LH (Ref # 34028)	34028-1191	1
STEP,RR,RH (Ref # 34028A)	34028-1192	1
STEP,FR,LH (Ref # 34028D)	34028-1334	1
STEP,FR,RH (Ref # 34028E)	34028-1335	1
BOLT,6X10 (Ref # 92001)	92001-1905	2
NUT,FLANGED,10MM (Ref # 92015)	92015-1428	2
WASHER,STEP,RR (Ref # 92022)	92022-1507	2
COLLAR,STEP (Ref # 92027)	92027-1732	2
PIN,12X42.5 (Ref # 92043)	92043-1145	2
PIN,6X34 (Ref # 92043A)	92043-1271	2
SPRING,STEP,RR (Ref # 92081)	92081-1612	2
SPRING,STEP RETURN,LH (Ref # 92144)	92144-1567	1
SPRING,STEP RETURN (Ref # 92144A)	92144-1568	1