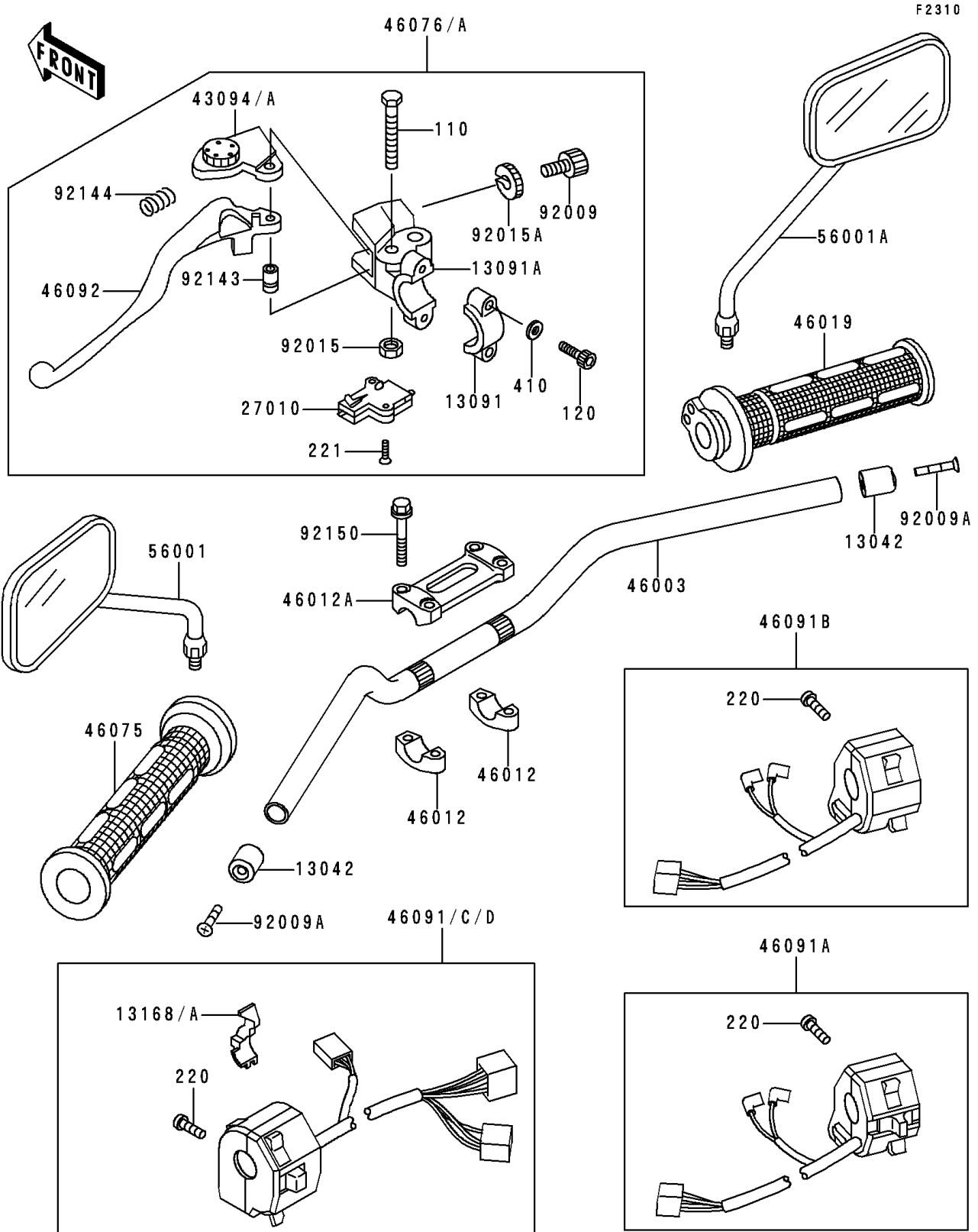


1990 Zephyr PARTS DIAGRAM

Handlebar



1990 Zephyr PARTS LIST

Handlebar

| ITEM NAME | PART NUMBER | QUANTITY |
|--|-------------|----------|
| BOLT,6X40 (Ref # 110) | 110C0640 | 1 |
| BOLT-SOCKET,6X20 (Ref # 120) | 120S0620 | 2 |
| SCREW-PAN-CROS (Ref # 220) | 220C0520 | 4 |
| SCREW-CSK-CROS (Ref # 221) | 221C0316 | 2 |
| WASHER-PLAIN-SMALL,6MM,BLACK (Ref # 410) | 410F0600 | 2 |
| WEIGHT,HANDLE (Ref # 13042) | 13042-1077 | 2 |
| HOLDER,CLUTCH LEVER (Ref # 13091) | 13091-1624 | 1 |
| HOLDER,CLUTCH LEVER (Ref # 13091A) | 13091-1652 | 1 |
| LEVER,CHOKE (Ref # 13168) | 13168-1374 | 1 |
| SWITCH,CLUTCH,BLACK (Ref # 27010) | 27010-1094 | 1 |
| ADJUSTER,CLUTCH LEVER (Ref # 43094A) | 43094-1054 | 1 |
| HANDLE (Ref # 46003) | 46003-1307 | 1 |
| HOLDER-HANDLE,LWR (Ref # 46012) | 46012-1212 | 2 |
| HOLDER-HANDLE,UPP (Ref # 46012A) | 46012-1213 | 1 |
| GRIP-ASSY,THROTTLE (Ref # 46019) | 46019-1059 | 1 |
| GRIP,LH (Ref # 46075) | 46075-1028 | 1 |
| LEVER-ASSY-GRIP,CLUTCH (Ref # 46076) | 46076-1168 | 1 |
| HOUSING-ASSY-CONTROL,LH (Ref # 46091) | 46091-1445 | 1 |
| HOUSING-ASSY-CONTROL,RH (Ref # 46091A) | 46091-1460 | 1 |
| LEVER-GRIP,CLUTCH (Ref # 46092) | 46092-1162 | 1 |
| MIRROR-ASSY,LH (Ref # 56001) | 56001-1327 | 1 |
| MIRROR-ASSY,RH (Ref # 56001A) | 56001-1385 | 1 |
| SCREW,CABLE ADJUST,8MM,BLACK (Ref # 92009) | 92009-1134 | 1 |
| SCREW,5X35 (Ref # 92009A) | 92009-1584 | 2 |
| NUT,LOCK,6MM,BLACK (Ref # 92015) | 92015-1191 | 1 |
| NUT,CABLE ADJUST LOCK,BLACK (Ref # 92015A) | 92015-1197 | 1 |
| COLLAR (Ref # 92143) | 92143-1379 | 1 |
| SPRING (Ref # 92144) | 92144-1467 | 1 |
| BOLT,FLANGED,8X55 (Ref # 92150) | 92150-1361 | 4 |