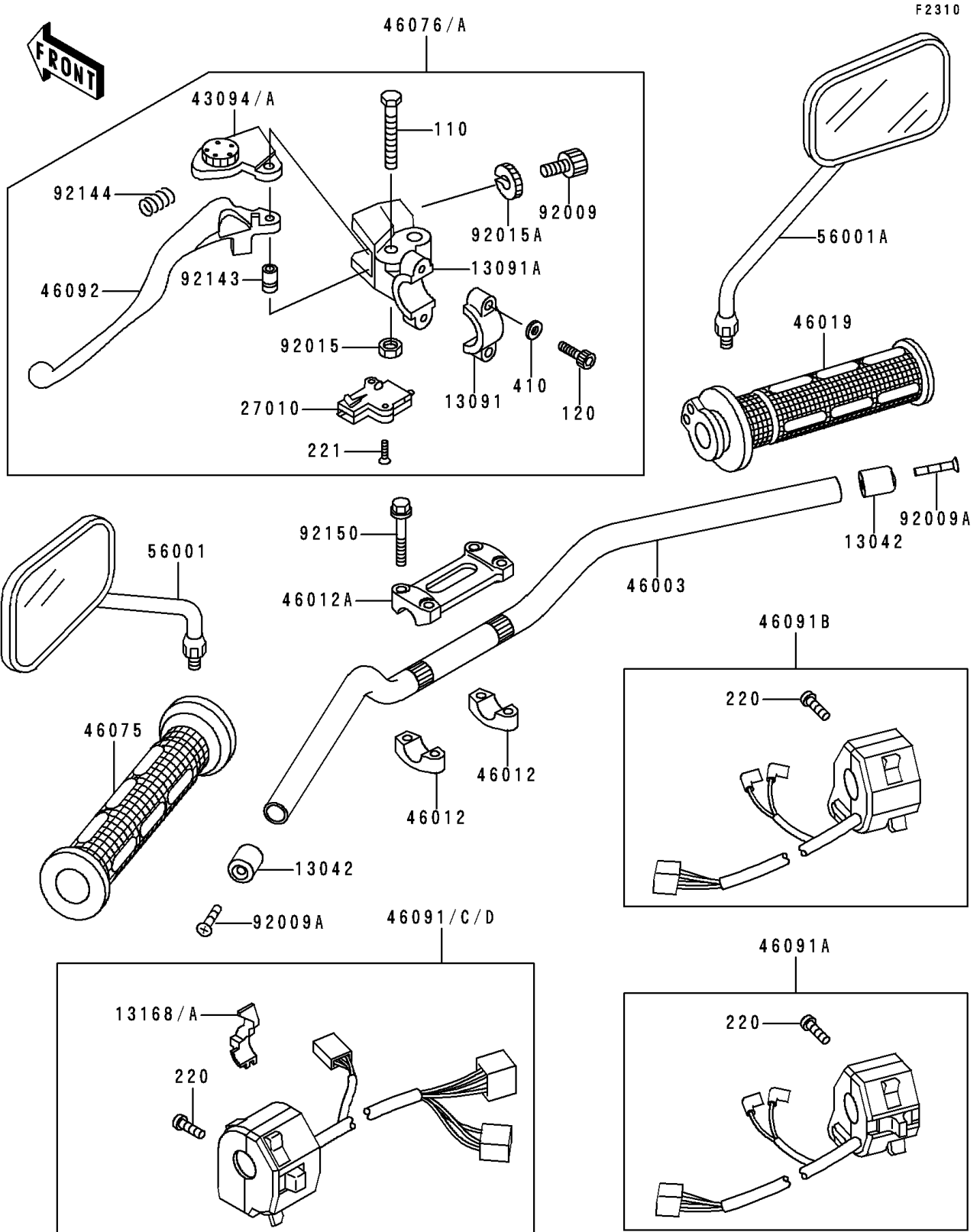


1992 Zephyr PARTS DIAGRAM

Handlebar



1992 Zephyr PARTS LIST

Handlebar

ITEM NAME	PART NUMBER	QUANTITY
BOLT,6X40 (Ref # 110)	110C0640	1
BOLT-SOCKET,6X20 (Ref # 120)	120S0620	2
SCREW-PAN-CROS (Ref # 220)	220C0520	4
SCREW-CSK-CROS (Ref # 221)	221C0316	2
WASHER-PLAIN-SMALL,6MM,BLACK (Ref # 410)	410F0600	2
WEIGHT,HANDLE (Ref # 13042)	13042-1077	2
HOLDER,CLUTCH LEVER (Ref # 13091)	13091-1624	1
HOLDER,CLUTCH LEVER (Ref # 13091A)	13091-1652	1
LEVER,CHOKE (Ref # 13168A)	13168-1448	1
SWITCH,CLUTCH,BLACK (Ref # 27010)	27010-1094	1
ADJUSTER,CLUTCH LEVER (Ref # 43094)	43094-1053	1
HANDLE (Ref # 46003)	46003-1307	1
HOLDER-HANDLE,LWR (Ref # 46012)	46012-1212	2
HOLDER-HANDLE,UPP (Ref # 46012A)	46012-1213	1
GRIP-ASSY,THROTTLE (Ref # 46019)	46019-1059	1
GRIP,LH (Ref # 46075)	46075-1028	1
LEVER-ASSY-GRIP,CLUTCH (Ref # 46076A)	46076-1180	1
HOUSING-ASSY-CONTROL,RH (Ref # 46091B)	46091-1553	1
HOUSING-ASSY-CONTROL,LH (Ref # 46091C)	46091-1554	1
LEVER-GRIP,CLUTCH (Ref # 46092)	46092-1162	1
MIRROR-ASSY,LH (Ref # 56001)	56001-1327	1
MIRROR-ASSY,RH (Ref # 56001A)	56001-1385	1
SCREW,CABLE ADJUST,8MM,BLACK (Ref # 92009)	92009-1134	1
SCREW,5X35 (Ref # 92009A)	92009-1584	2
NUT,LOCK,6MM,BLACK (Ref # 92015)	92015-1191	1
NUT,CABLE ADJUST LOCK,BLACK (Ref # 92015A)	92015-1197	1
COLLAR (Ref # 92143)	92143-1379	1
SPRING (Ref # 92144)	92144-1467	1
BOLT,FLANGED,8X55 (Ref # 92150)	92150-1361	4