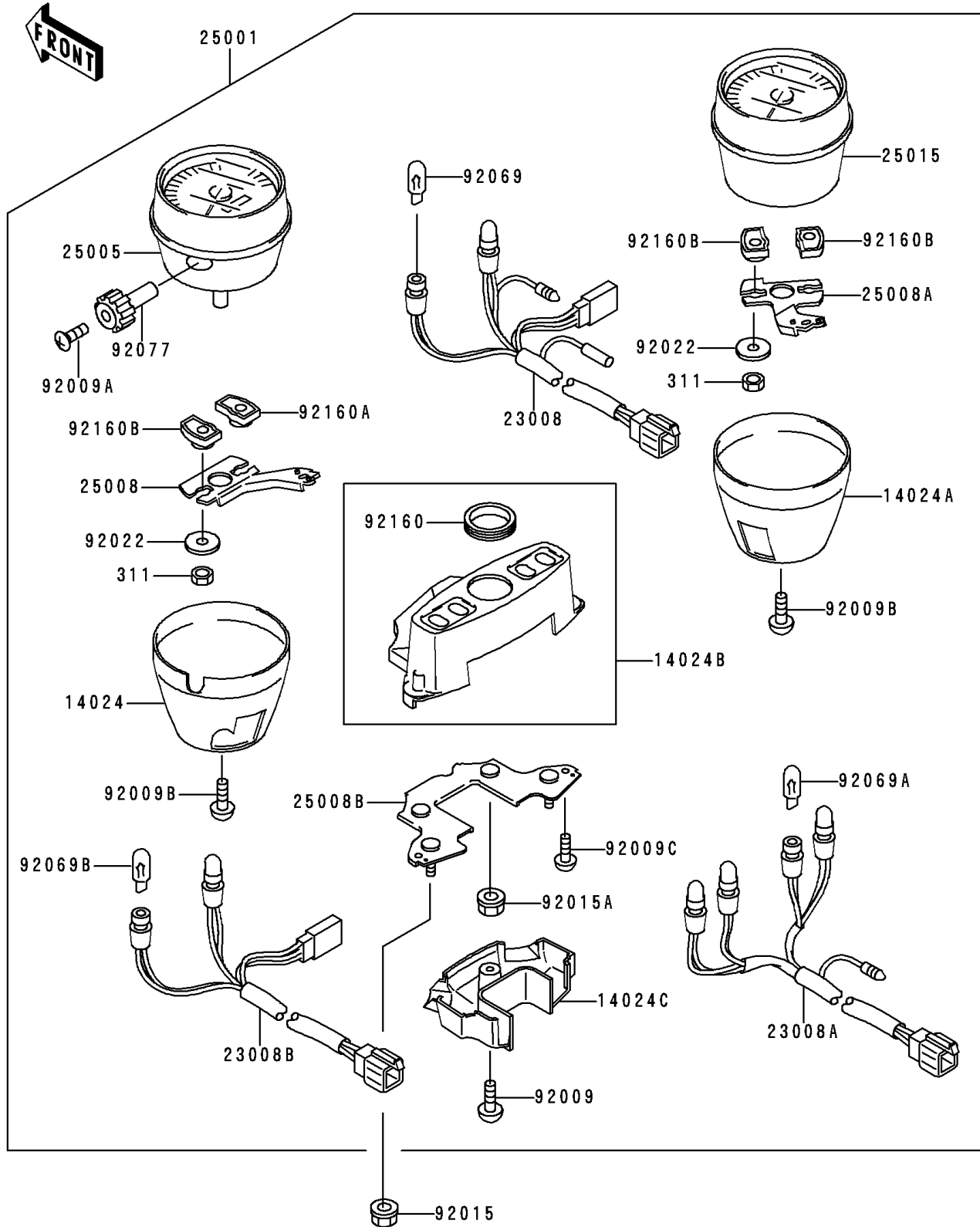


# 1992 Zephyr PARTS DIAGRAM

Meter(ZR550-B3/B4)

F2530A



# 1992 Zephyr PARTS LIST

Meter(ZR550-B3/B4)

ITEM NAME	PART NUMBER	QUANTITY
NUT-HEX (Ref # 311)	311B0500	4
COVER,SPEEDOMETER (Ref # 14024)	14024-1986	1
COVER,TACHOMETER (Ref # 14024A)	14024-1987	1
COVER,PILOT BOX,UPP (Ref # 14024B)	14024-1988	1
COVER,PILOT BOX,LWR (Ref # 14024C)	14024-1989	1
SOCKET-ASSY,TACHOMETER (Ref # 23008)	23008-1458	1
SOCKET-ASSY,PILOT BOX (Ref # 23008A)	23008-1459	1
SOCKET-ASSY,SPEEDOMETER (Ref # 23008B)	23008-1460	1
METER-ASSY,KPH (Ref # 25001)	25001-1830	1
SPEEDOMETER,KPH (Ref # 25005)	25005-1467	1
BRACKET-METER,SPEED (Ref # 25008)	25008-1171	1
BRACKET-METER,TACHO (Ref # 25008A)	25008-1172	1
BRACKET-METER,PILOT BOX (Ref # 25008B)	25008-1173	1
TACHOMETER,X1000R/MIN (Ref # 25015)	25015-1298	1
SCREW,4X16,BLACK (Ref # 92009)	92009-1158	1
SCREW,2X6,BLACK (Ref # 92009A)	92009-1172	1
SCREW,TAPPING,4X16 (Ref # 92009B)	92009-1601	2
SCREW,4X16 (Ref # 92009C)	92009-1605	2
NUT,FLANGED,6MM,BLACK (Ref # 92015)	92015-1237	2
NUT,FLANGED,6MM (Ref # 92015A)	92015-1367	2
WASHER,5.2X16X1.2 (Ref # 92022)	92022-263	4
BULB,12V3W T-7 (Ref # 92069)	92069-1020	2
BULB,14V 3W (Ref # 92069A)	92069-1068	4
BULB,12V 1.7W T-7 (Ref # 92069B)	92069-1085	2
KNOB,RESET TRIP (Ref # 92077)	92077-1096	1
DAMPER,IGNITION SWITCH (Ref # 92160)	92160-1179	1
DAMPER,METER (Ref # 92160A)	92160-1280	1
DAMPER,METER (Ref # 92160B)	92160-1281	3