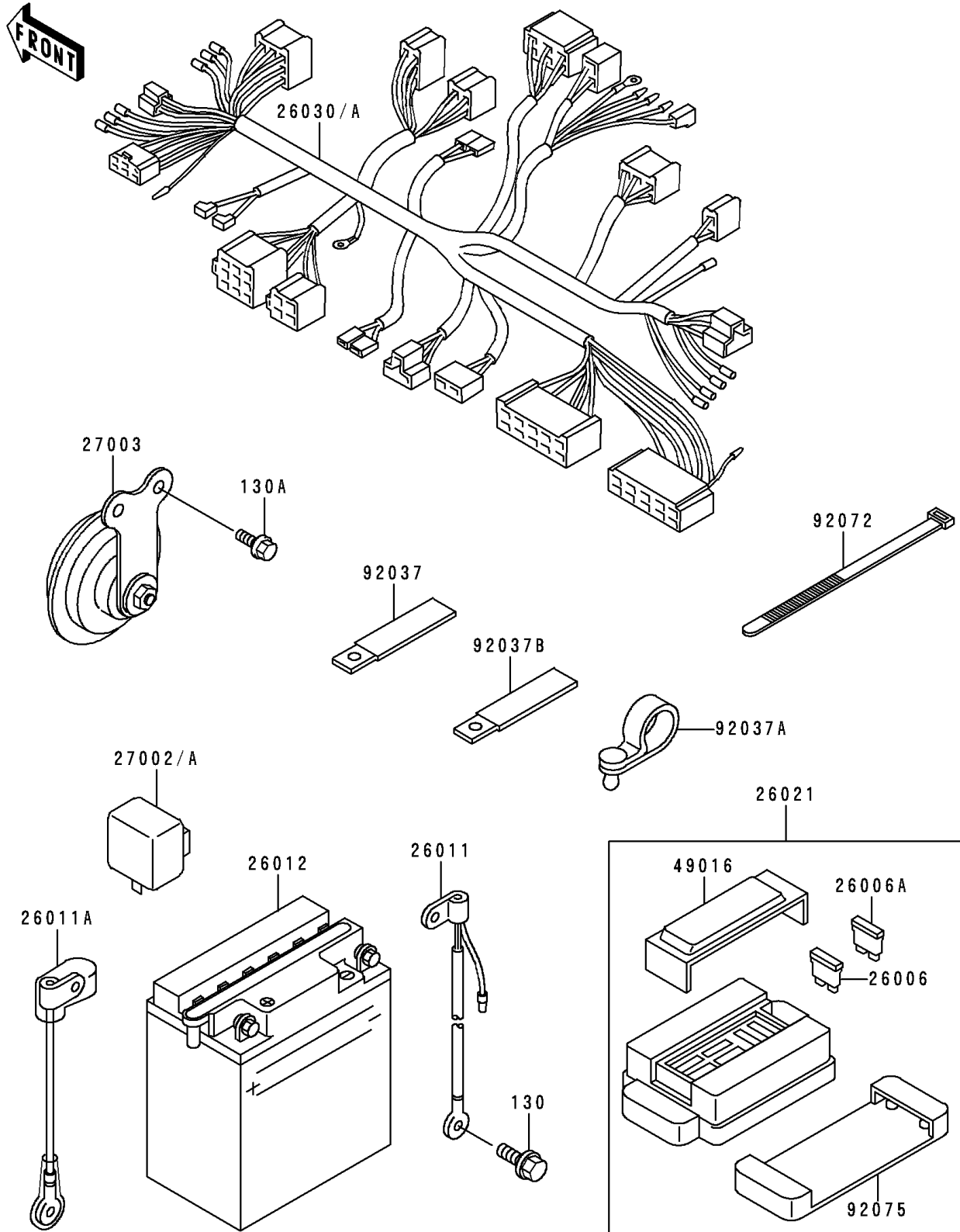


# 1992 Zephyr PARTS DIAGRAM

Electrical Equipment

F2760



# 1992 Zephyr PARTS LIST

## Electrical Equipment

ITEM NAME	PART NUMBER	QUANTITY
BOLT-FLANGED,6X10 (Ref # 130)	130B0610	1
BOLT-FLANGED,6X12 (Ref # 130A)	130C0612	2
FUSE,30A-G (Ref # 26006)	26006-1006	2
FUSE,10A-R (Ref # 26006A)	26006-1007	4
WIRE-LEAD,BATTERY GROUND (Ref # 26011)	26011-1195	1
WIRE-LEAD,BATTERY (+) (Ref # 26011A)	26011-1255	1
BATTERY,12V 12AH,FB12A-A (Ref # 26012)	26012-1217	1
JUNCTION BOX (Ref # 26021)	26021-1079	1
HARNESS,MAIN (Ref # 26030A)	26030-1090	1
RELAY-ASSY,TURN SIGNAL (Ref # 27002)	27002-1053	1
HORN (Ref # 27003)	27003-1348	1
COVER-SEAL,FUSE (Ref # 49016)	49016-1106	1
CLAMP,WIRING HARNESS (Ref # 92037)	92037-1069	2
CLAMP (Ref # 92037A)	92037-1290	1
CLAMP (Ref # 92037B)	92037-1993	1
BAND,L=185 (Ref # 92072)	92072-1195	8
DAMPER,JUNCTION BOX (Ref # 92075)	92075-1688	1