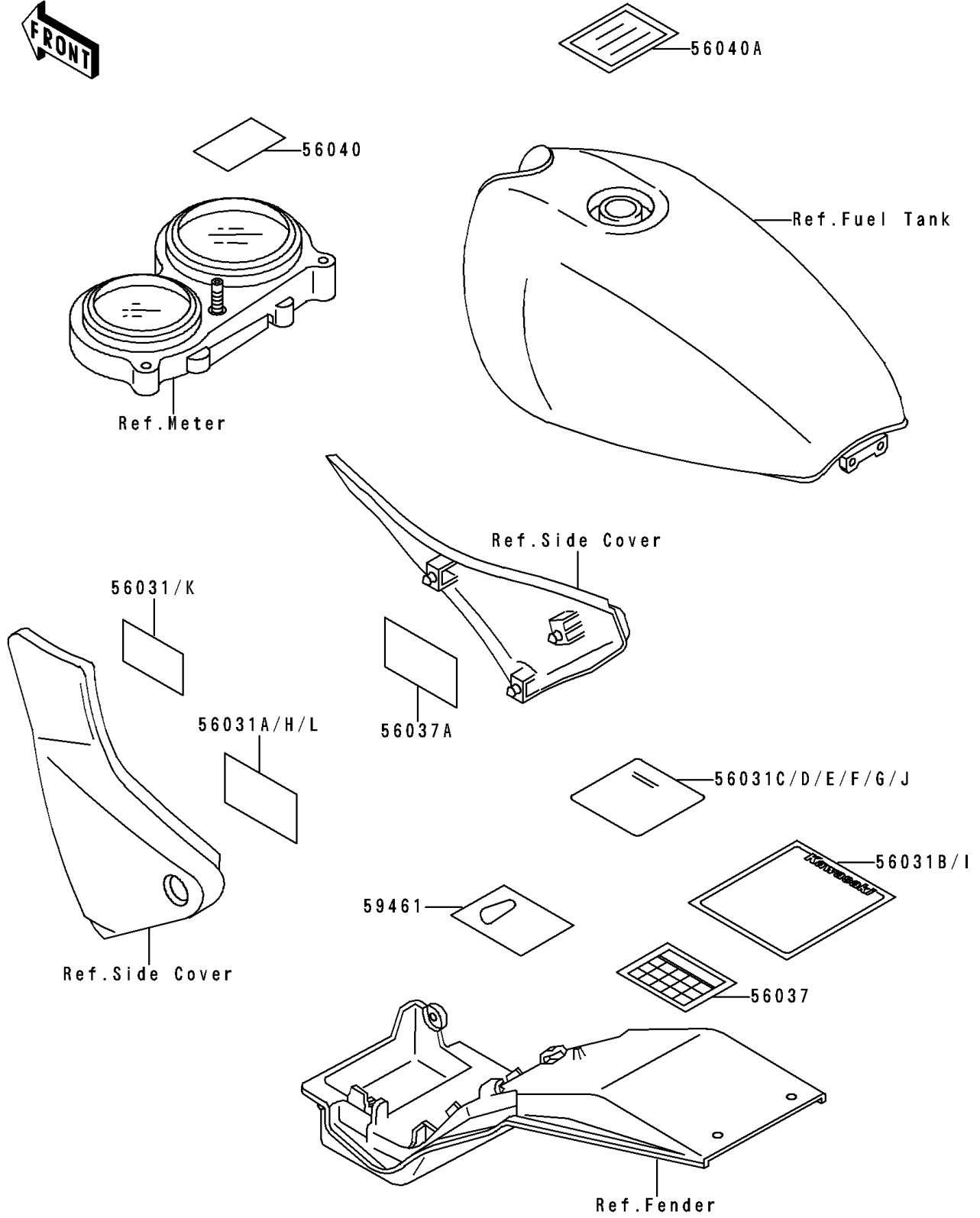


# 1990 Zephyr PARTS DIAGRAM

Label

F2860



# 1990 Zephyr PARTS LIST

Label

ITEM NAME	PART NUMBER	QUANTITY
LABEL-MANUAL,OIL & OIL FILTER (Ref # 56031)	56031-1093	1
LABEL-MANUAL,CHAIN (Ref # 56031A)	56031-1524	1
LABEL-MANUAL,DAILY SAFETY (Ref # 56031B)	56031-1694	1
LABEL-MANUAL,BATTERY VENT (Ref # 56031C)	56031-1695	1
LABEL-MANUAL,BATTERY VENT (Ref # 56031D)	56031-1695	1
LABEL-MANUAL,BATTERY VENT (Ref # 56031F)	56031-1743	1
LABEL-MANUAL,BATTERY VENT (Ref # 56031G)	56031-1743	1
LABEL-SPECIFICATION,TIRE&LOAD (Ref # 56037)	56037-1503	1
LABEL-WARNING,BREAK IN CAUTION (Ref # 56040)	56040-1007	1
LABEL-WARNING,EVAPO (Ref # 56040A)	56040-1121	1
LABEL-CERTIFICATION,EVAPO ROUT (Ref # 59461)	59461-1491	1