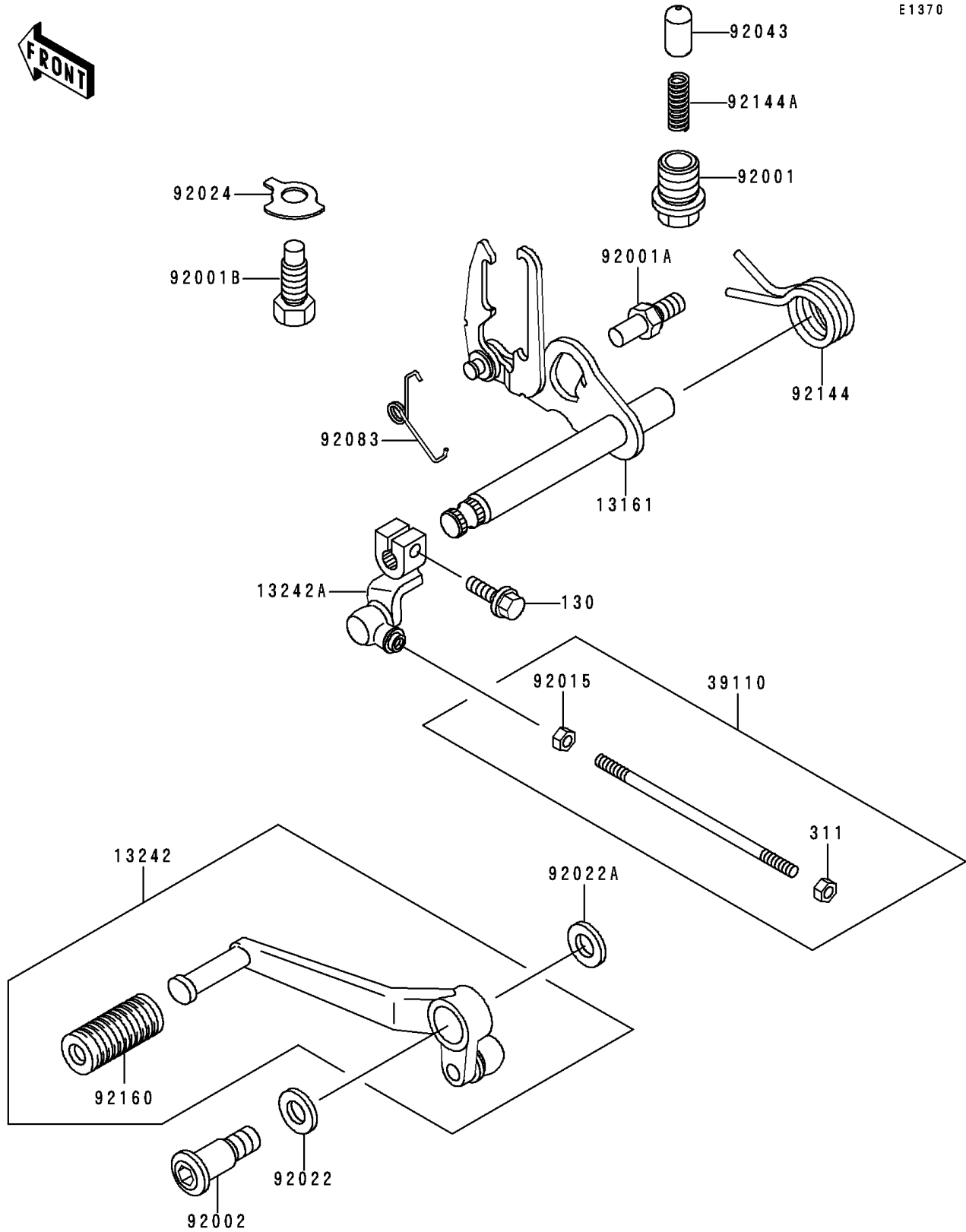


1993 Zephyr 750 PARTS DIAGRAM

Gear Change Mechanism

E1370



1993 Zephyr 750 PARTS LIST

Gear Change Mechanism

| ITEM NAME | PART NUMBER | QUANTITY |
|--|-------------|----------|
| BOLT-FLANGED,6X20,BLACK (Ref # 130) | 130S0620 | 1 |
| NUT-HEX (Ref # 311) | 311J0600 | 1 |
| LEVER-COMP-CHANGE SHAFT (Ref # 13161) | 13161-042 | 1 |
| LEVER-ASSY-CHANGE,PEDAL (Ref # 13242) | 13242-1288 | 1 |
| LEVER-ASSY-CHANGE (Ref # 13242A) | 13242-1290 | 1 |
| ROD-ASSY-TIE,CHANGE LEVER (Ref # 39110) | 39110-1015 | 1 |
| BOLT,NEUTRAL POSITION (Ref # 92001) | 92001-1037 | 1 |
| BOLT,RETURN SPRING (Ref # 92001A) | 92001-1455 | 1 |
| BOLT,10X26 (Ref # 92001B) | 92001-174 | 1 |
| BOLT,CHANGE PEDAL (Ref # 92002) | 92002-1926 | 1 |
| NUT (Ref # 92015) | 92015-1178 | 1 |
| WASHER,12.5X21X1.2 (Ref # 92022) | 92022-072 | 1 |
| WASHER,8.5X20X1.6 (Ref # 92022A) | 92022-1561 | 1 |
| WASHER,LOCK,10MM (Ref # 92024) | 92024-074 | 1 |
| PIN (Ref # 92043) | 92043-076 | 1 |
| SPRING (Ref # 92083) | 92083-018 | 1 |
| SPRING,CHANGE PEDAL RETURN (Ref # 92144) | 92144-1074 | 1 |
| SPRING,NEUTRAL POSITION (Ref # 92144A) | 92144-1580 | 1 |
| DAMPER,CHANGE PEDAL (Ref # 92160) | 92160-1036 | 1 |