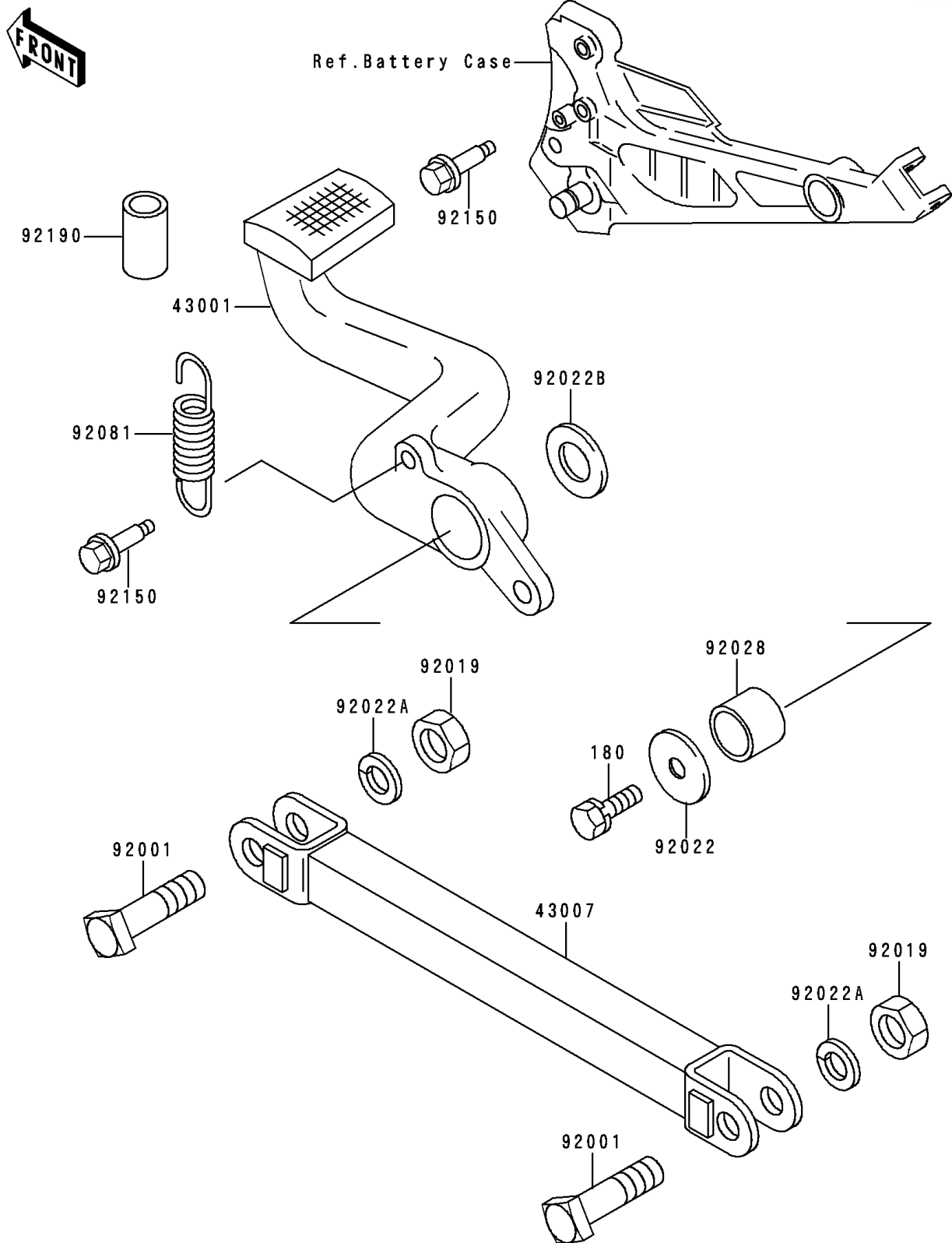


1991 Zephyr 750 PARTS DIAGRAM

Brake Pedal

F2260



1991 Zephyr 750 PARTS LIST

Brake Pedal

ITEM NAME	PART NUMBER	QUANTITY
BOLT-UPSET-WS (Ref # 180)	180H0614	1
LEVER-BRAKE,PEDAL (Ref # 43001)	43001-1291	1
ROD-TORQUE,SILVER NO.25 (Ref # 43007)	43007-1155-CE	1
BOLT,10X37 (Ref # 92001)	92001-1307	2
NUT,LOCK,10MM (Ref # 92019)	92019-021	2
WASHER,7X28X1.6 (Ref # 92022)	92022-1282	1
WASHER,SPRING,10MM (Ref # 92022A)	92022-1540	2
WASHER,15.3X24X1 (Ref # 92022B)	92022-326	1
BUSHING,BRAKE PEDAL (Ref # 92028)	92028-1282	1
SPRING,BRAKE PEDAL (Ref # 92081)	92081-1147	1
BOLT,6MM (Ref # 92150)	92150-1113	2
TUBE,16X19X30 (Ref # 92190)	92190-1185	1