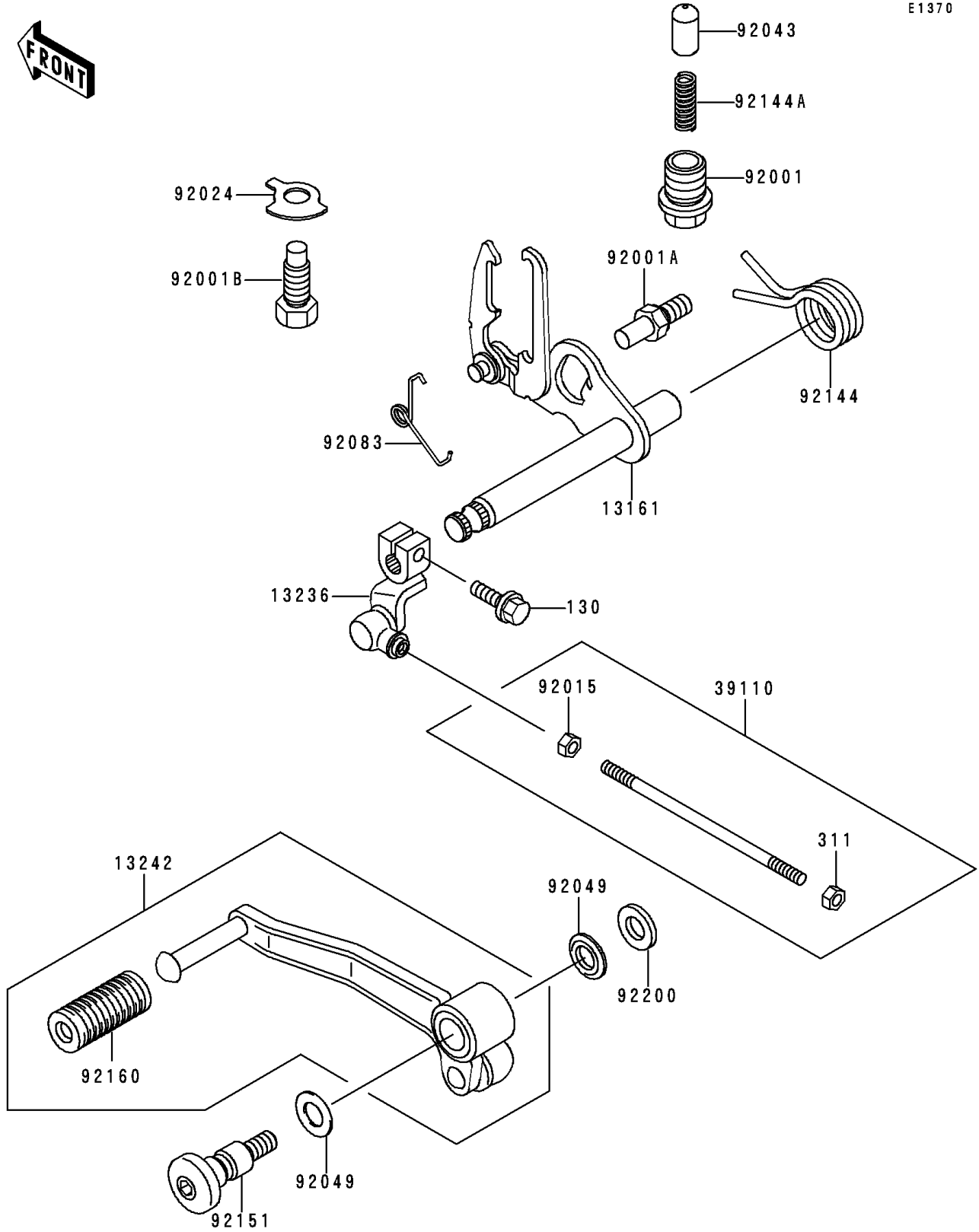


2000 ZR-7 PARTS DIAGRAM

Gear Change Mechanism

E1370



2000 ZR-7 PARTS LIST

Gear Change Mechanism

ITEM NAME	PART NUMBER	QUANTITY
BOLT-FLANGED,6X20,BLACK (Ref # 130)	130S0620	1
NUT-HEX (Ref # 311)	311J0600	1
LEVER-COMP-CHANGE SHAFT (Ref # 13161)	13161-042	1
LEVER-COMP,CHANGE (Ref # 13236)	13236-1332	1
LEVER-ASSY-CHANGE,PEDAL (Ref # 13242)	13242-1359	1
ROD-ASSY-TIE (Ref # 39110)	39110-1106	1
BOLT,NEUTRAL POSITION (Ref # 92001)	92001-1037	1
BOLT,RETURN SPRING (Ref # 92001A)	92001-1455	1
BOLT,10X26 (Ref # 92001B)	92001-174	1
NUT (Ref # 92015)	92015-1178	1
WASHER,LOCK,10MM (Ref # 92024)	92024-074	1
PIN (Ref # 92043)	92043-076	1
SEAL-OIL,VB13193 (Ref # 92049)	92049-1398	2
SPRING (Ref # 92083)	92083-018	1
SPRING,CHANGE PEDAL RETURN (Ref # 92144)	92144-1074	1
SPRING,NEUTRAL POSITION (Ref # 92144A)	92144-1580	1
BOLT,CHANGE PEDAL (Ref # 92151)	92151-1481	1
DAMPER,CHANGE PEDAL (Ref # 92160)	92160-1036	1
WASHER,8.5X25X1.5 (Ref # 92200)	92200-3717	1