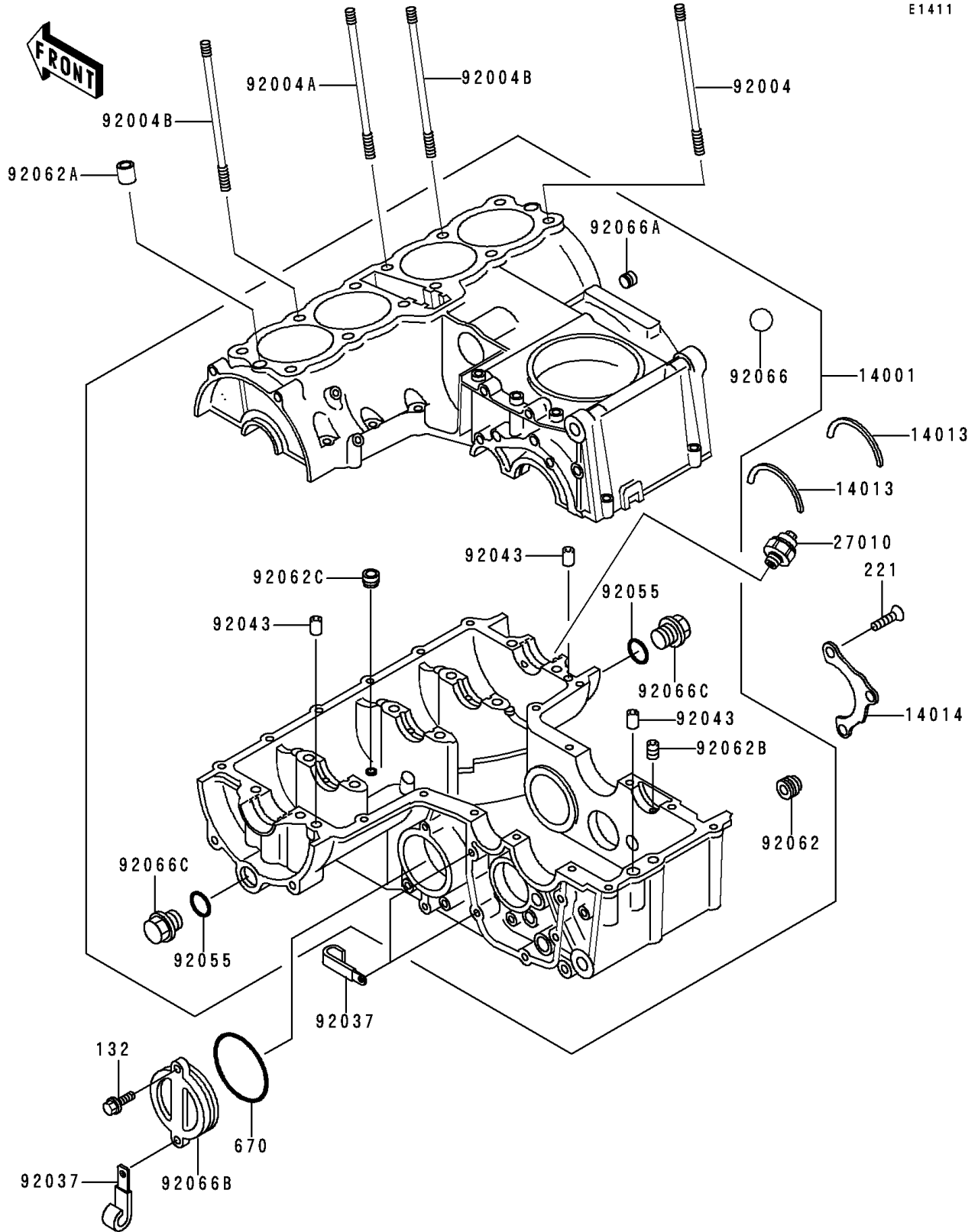


2000 ZR-7 PARTS DIAGRAM

Crankcase

E1411



2000 ZR-7 PARTS LIST

Crankcase

| ITEM NAME | PART NUMBER | QUANTITY |
|--|-------------|----------|
| BOLT-FLANGED-SMALL (Ref # 132) | 132Y0620 | 2 |
| SCREW-CSK-CROS,6X20 (Ref # 221) | 221B0620 | 1 |
| O RING,46MM (Ref # 670) | 670E3046 | 1 |
| SET-CRANKCASE (Ref # 14001) | 14001-5370 | 1 |
| RING-POSITION (Ref # 14013) | 14013-004 | 2 |
| PLATE-POSITION,SECONDARY SHAFT (Ref # 14014) | 14014-1007 | 1 |
| SWITCH,OIL PRESSURE (Ref # 27010) | 27010-1313 | 1 |
| STUD,10X133 (Ref # 92004) | 92004-1231 | 4 |
| STUD,10X153 (Ref # 92004A) | 92004-1232 | 4 |
| STUD,10X116 (Ref # 92004B) | 92004-1233 | 4 |
| CLAMP,WIRING HARNESS,L=60 (Ref # 92037) | 92037-1069 | 3 |
| PIN,DOWEL,10X14 (Ref # 92043) | 92043-1037 | 3 |
| RING-O (Ref # 92055) | 92055-1146 | 2 |
| NOZZLE (Ref # 92062) | 92062-014 | 1 |
| NOZZLE (Ref # 92062A) | 92062-016 | 2 |
| NOZZLE,6X8,SILVER (Ref # 92062B) | 92062-1081 | 1 |
| NOZZLE (Ref # 92062C) | 92062-1086 | 4 |
| PLUG,RUBBER BALL,6.7 (Ref # 92066) | 92066-057 | 1 |
| PLUG (Ref # 92066A) | 92066-1005 | 1 |
| PLUG,SECONDARY SHAFT,52X19 (Ref # 92066B) | 92066-1019 | 1 |
| PLUG,MAIN GALLERY,18X9,BLACK (Ref # 92066C) | 92066-1096 | 2 |