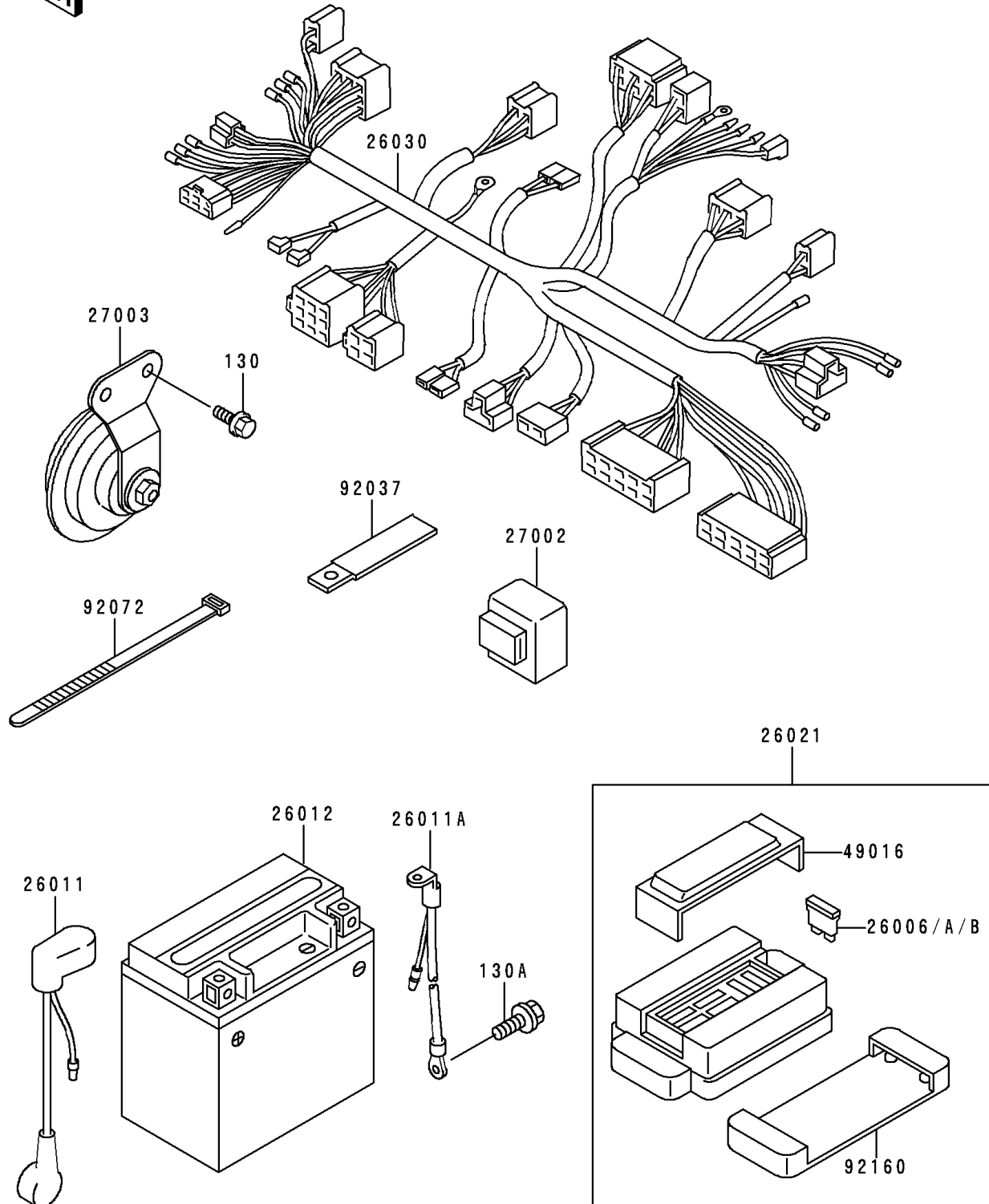


2000 ZR-7 PARTS DIAGRAM

Chassis Electrical Equipment

F2760



2000 ZR-7 PARTS LIST

Chassis Electrical Equipment

ITEM NAME	PART NUMBER	QUANTITY
BOLT-FLANGED (Ref # 130)	130J0612	2
BOLT-FLANGED,6X10 (Ref # 130A)	130V0610	1
FUSE,30A-G (Ref # 26006)	26006-1067	2
FUSE,10A-R (Ref # 26006A)	26006-1068	6
FUSE,15A-B (Ref # 26006B)	26006-1069	1
WIRE-LEAD,BATTERY(+) (Ref # 26011)	26011-1722	1
WIRE-LEAD,BATTERY(-) (Ref # 26011A)	26011-1723	1
BATTERY,YTX12-BS,12V 10AH (Ref # 26012)	26012-1330	1
JUNCTION BOX (Ref # 26021)	26021-1104	1
HARNESS,MAIN (Ref # 26030)	26030-1659	1
RELAY-ASSY,TURN SIGNAL (Ref # 27002)	27002-1101	1
HORN (Ref # 27003)	27003-1392	1
COVER-SEAL,FUSE (Ref # 49016)	49016-1180	1
CLAMP,WIRING HARNESS,L=60 (Ref # 92037)	92037-1069	2
BAND,L=185 (Ref # 92072)	92072-1195	6
DAMPER,JUNCTION BOX (Ref # 92160)	92160-1650	1